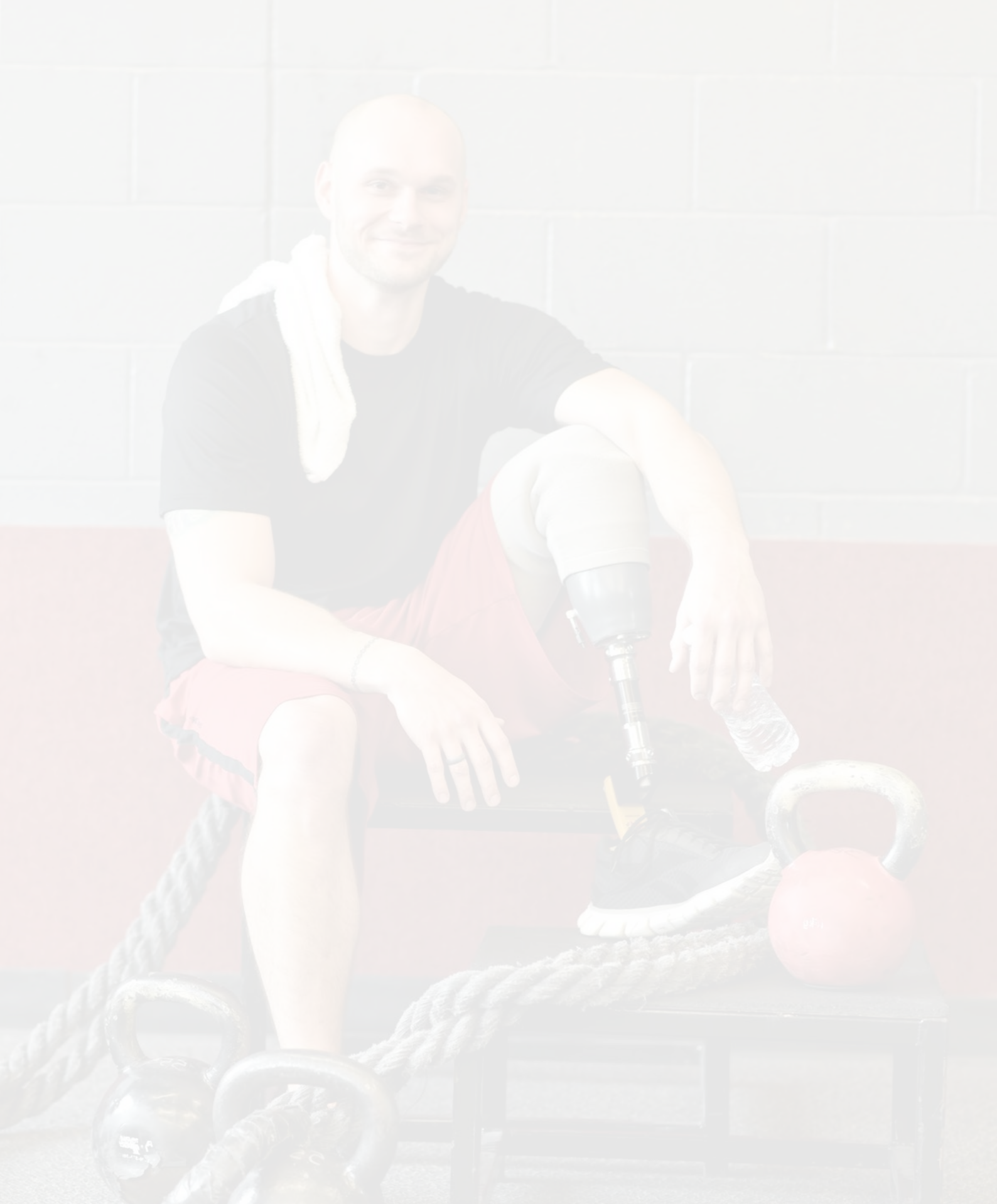




Foot & Ankle Prostheses
PROTEOR

 **steeper**
by equal.



Contents

Prosthetic Ankle/Feet	6
Kinnex 2.0	6
Kinterra 3.0	8
Prosthetic Feet	10
Exalto	10
Sierra	12
DynAdapt	14
Pacifica LP	16
Highlander	18
Highlander MAX	20
Agilix	22
Shockwave	24
Easy Run	26
Hopper	28
RUSH HiPro	30
RUSH RAMPAGE	32
RUSH RAMPAGE LP	34
RUSH ROGUE 2	36
RUSH H2O	38
RUSH EVAQ8	40
RUSH ROVER	42
RUSH Chopart	44
RUSH KID	46
DynaStep	47
3-Parts Foot	48
S.A.C.H	50





Shockwave Pg 24

PROTEOR

Foot & Ankle Prostheses

PROTEOR'S mission is to create and provide solutions for people who want to increase their independence and well-being.

Inspired by the achievements of users, PROTEOR offer a diverse range of advanced technologies designed for maximum mobility, adaptability, and durability. They collaborate closely with users, healthcare professionals, and university researchers to create the prostheses of tomorrow. Embracing sustainability, PROTEOR utilise lighter, less toxic, and recyclable materials, and their commitment to the environment extends to their industrial practices, with initiatives for recycling and waste recovery. PROTEOR believe in the power of collective effort to achieve incredible outcomes, continually pushing the boundaries of what is possible.

Kinnex 2.0

The Kinnex 2.0 uses cutting-edge microprocessor technology to provide superior ground compliance for low to moderate impact ambulators (K3) during everyday activities. The hydraulic system uses optimised seal technology and a robust cylinder design. The Kinnex 2.0 delivers reliable energy storage and return throughout the day.

Water-resistant*

*Water-resistant: Safe for contact with water and occasional submersion. Rinse immediately with fresh water and dry following exposure to water, particularly salt or chlorinated.



Features and Benefits

- Sensor-controlled ankle movement reads and processes data at a rate of 200 times per second, and Rapid Response™ valve technology responds at a rate of 5 milliseconds
- The carbon fibre split heel and keel design provides optimal support and range of motion to reduce internal socket pressure, helping to accommodate obstacles and uneven terrain
- Clinicians can use the GaitLab app to lock the ankle in a neutral position for alignment and calibration, customise the setup of the device, and monitor outcomes
- Optimised hydraulic oil reservoir and seal technology for increased oil capacity and longevity
- IP67 rated - up to 30 minutes in 1 metre of fresh water
- Dynamic lock provides a firm foundation, and can be engaged/disengaged using the app or via the button panel on the front
- Apparel Assist Mode locks the foot at an angle, making it easier for the user to change clothes or footwear
- 20° plantar flexion and 10° dorsiflexion range of motion means the foot is ideally positioned with the ground
- User App allows the user to make limited fine resistance adjustments
- Up to 2" of heel height adjustment allows users to store up to 100 shoe styles in the User App



Low Battery Feature & Manual Lock

Ordering Information

Trial Period - This foot has a 14 day trial period.

Note: Once the definitive foot has been purchased there is no trial period.

Impact Level Descriptions

Low: Daily activities include mostly level ground walking, moving around in the home and the community.

Moderate: Daily activities include up to unlimited walking, climbing stairs and occasional moderate lifting (this does not include running).

Ordering Example - NF14526SL

Part Number	Category	Size (22-31)	Toe Configuration	Left/Right
NF14	5	26	S	L

Includes foot shell and Spectra® Sock

Category Selection

Weight (kg)	Impact Level	
	Low	Mod
44-52	1	1
53-59	1	2
60-68	2	3
69-77	3	4
78-88	4	5
89-100	5	6
101-116	6	7
117-125	7	-

Toe Configuration

Code	Description
Leave Blank	Regular
S	Sandal Toe**

**Sandal toe only available in sizes 24-28cm

Spare Parts Ordering Information

Part Number	Foot Shell Type
NFTC-3K-1 ▲ ● 4-R ■	Regular without CAP
NFTC-2K-1 ▲ ● 4-S ■	Sandal Toe without CAP

Foot Shell Ordering Guide

- ▲ = Size in cm (24-30 = Regular, 24-28 = Sandal Toe)
- = Skin Tone (L = Light, M = Medium, D = Dark)
- = Side (R = Right, L = Left)

Download the Apps

GaitLab
Clinicians App

Kinnex
User App

Both GaitLab (clinician app) and Kinnex (user app) are available to download free from Google Play and the App Store. Compatible with mobile, tablet/iPad and desktop computer, please visit your app provider for system requirements.



Visit www.steepergroup.com for more information

Spectra® Sock	Size (cm)	Sock Size
NSO-F14-00024-00	24	24cm
NSO-F14-00025-00	25	25cm
NSO-F14-00026-00	26	26cm
NSO-F14-00027-00	27	27cm
NSO-F14-00028-00	28	28cm
NSO-F14-00029-00	29	29cm
NSO-F14-00030-00	30	30cm

Bumper Kit	Size
NKIT-00-11403-00	24-25cm
NKIT-00-11404-00	26-28cm
NKIT-00-11405-00	29-30cm

Additional Warranty Options

The Kinnex 2.0 foot comes with a standard 3 year warranty. To order this device with a five year warranty add the suffix '-5Y' to the end of the part number.

5 year warranty ordering example:

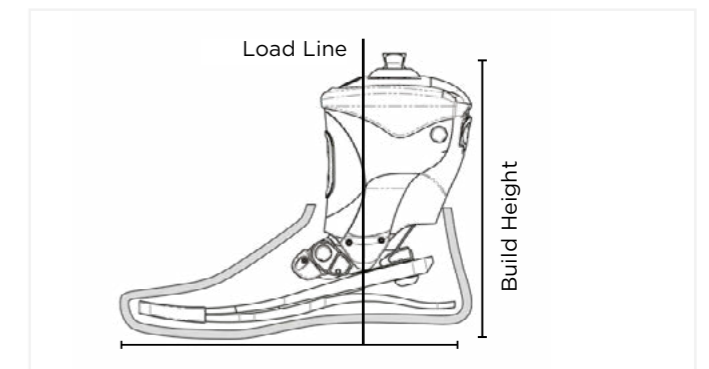
Kinnex 2.0 Foot & 5 Year Warranty, Cat. 5 Size 26 Regular Toe Left **NF14526L-5Y**

Product Specification

Weight Limit	Impact Level	Weight of Unit	Sizes (cm)	Build Height (cm)	Battery Life	Warranty
125kg		1432g Size 25cm	24-30	18.4 (size 25)	24 hours	3/5 years Foot shell - 6 months

Technical Information

Build Height and Weight		
Size (cm)	Build Height (cm)	Foot inc. Shell
24-25	18.4	1432g
26-28	18.6	1494g
29-30	18.6	1553g



Kinterra 3.0

The Kinterra 3.0 is a well-proven hydraulic ankle that consistently sets higher standards for reliability, comfort and stability. This Foot/Ankle System combines carbon fibre and hydraulic technologies to enhance the walking experience for low to moderate impact K3 ambulators, ensuring improved stability on slopes and varied landscapes.

The Kinterra 3.0 model has a 20% increase in user weight rating compared to the previous 2.0 model. The prosthesis can accommodate body weights up to 150kg without compromising product weight and function.

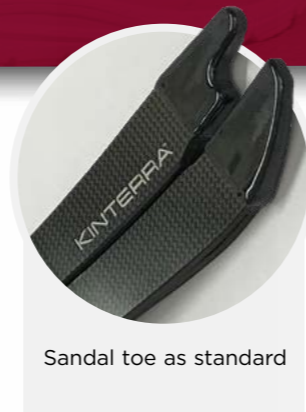
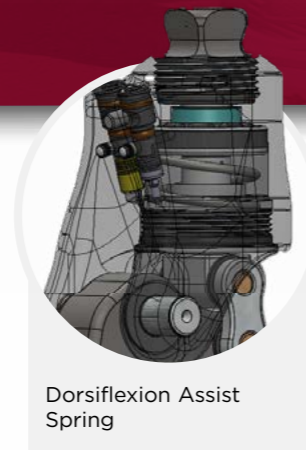
The hydraulic ankle has 2° of dorsiflexion leading to a spring bumper and 15° of plantarflexion. The yield resistance can be adjusted independently for both plantarflexion and dorsiflexion. While ascending slopes, the full-length carbon fibre split keel provides a smooth supportive transition. Personalised action throughout the ROM provides a very effective and comfortable gait for the user - particularly while descending slopes. This device works well when used in combination with a microprocessor knee.

Water-resistant*

*Water-resistant: Safe for contact with water and occasional submersion. Rinse immediately with fresh water and dry following exposure to water, particularly salt or chlorinated.

Features and Benefits

- 150kg maximum patient weight
- Increased ROM – Energy return and socket comfort without sacrificing stability
- 17° hydraulic ankle articulation – 15° of plantarflexion and 2° of dorsiflexion allow the foot to reach and maintain footflat across differing terrains and improved socket comfort whilst sitting
- Dorsiflexion assist spring – Returns the ankle to 2°DF when unweighted, decreasing risk of toe catching during ambulation
- EnduraCore® footplate for energy return and a smooth rollover. A split heel and heel provide mediolateral stability and terrain adaptation
- Decreased build height and increased compatibility
- Submersible in fresh water up to 1 metre for 30 minutes



Ordering Information

Trial Period - This foot has a 30 day trial period.

Impact Level Descriptions

Low: Daily activities include mostly level ground walking, moving around in the home and the community.

Moderate: Daily activities include up to unlimited walking, climbing stairs and occasional moderate lifting (this does not include running).

Ordering Example - NRM3-124L-SL

Part Number	Cat.	Size (22-30)	Shell Colour (L,M,D)	S	Left/Right
NRM3	1	24	L	S	L

Includes foot shell and Spectra® Sock

Category Selection

Weight (kg)	Impact Level	
	Low	Mod
44-52	1	1
53-59	1	2
60-68	2	3
69-77	3	4
78-88	4	5
89-100	5	6
101-116	6	7
117-132	7	8
133-150	8	-

Spare Parts Ordering Information

Part Number	Foot Shell Type
NFTC-2K-1 ▲●4-S ■	Sandal Toe, without CAP



Spare Parts Ordering Guide

- ▲ = Size in cm (22-30)
- = Skin Tone (L = Light, M = Medium, D = Dark)
- = "L" or "R" for Left or Right

Spectra® Sock	Colour	Size (cm)	Sock Size (cm)
NS0-NPS-20030-00	B	22-25	30
NS0-NPS-20035-00	B	26-28	35
NS0-NPS-20040-00	B	29-30	40

Colours: B = Black

Bumper Kit	Size (cm)
NKIT-00-1147U-00	Universal

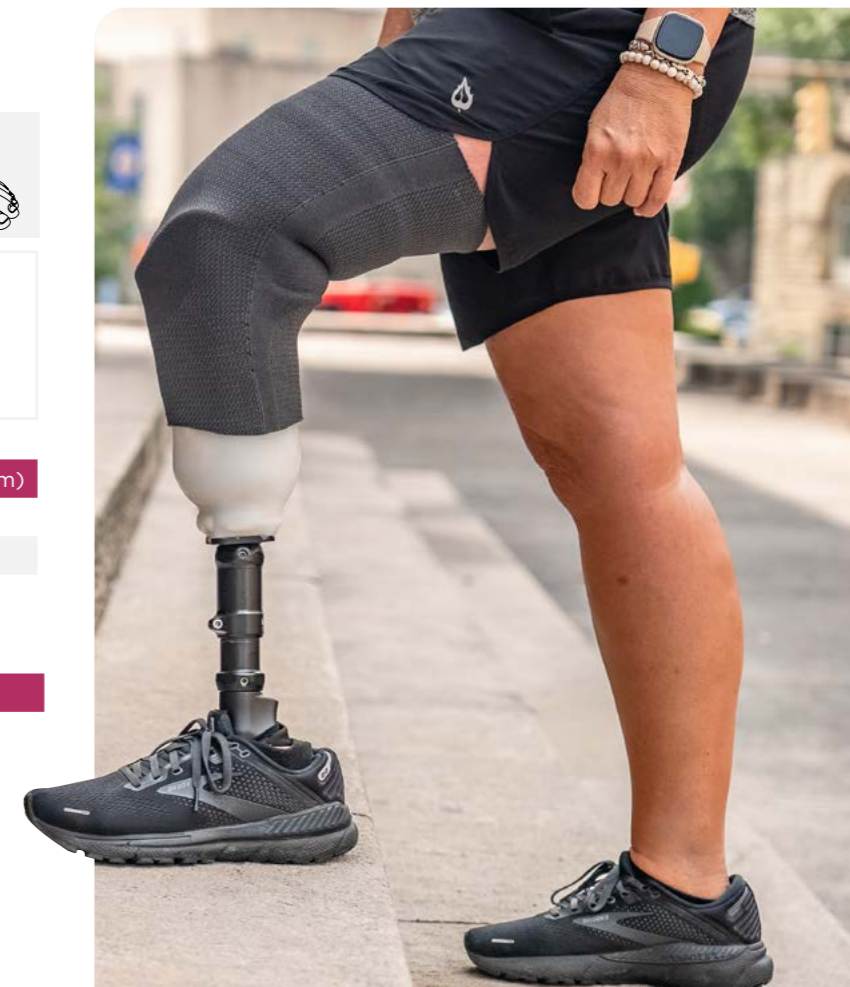
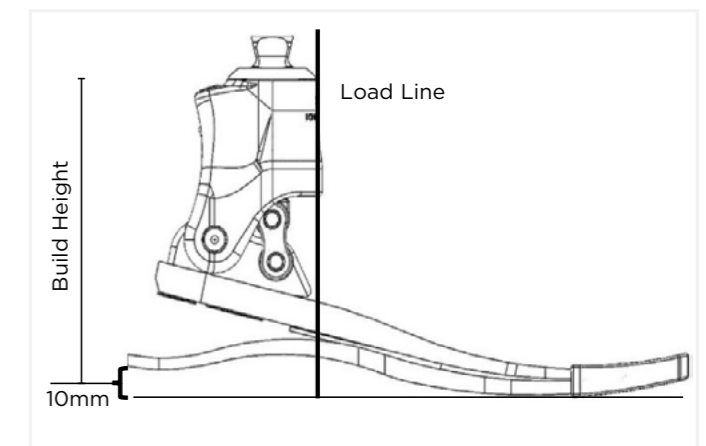
Product Specification

Weight Limit	Impact Level	Sizes (cm)	Warranty
150kg	L M H	22-30	3 years Foot shell - 6 months

Technical Information

Build Height and Weight		
Size (cm)	Build Height (cm)	Foot inc. Shell
22-25	11.8	764g
26-28	11.9	833g
29-31	12.2	956g

*Based on a sizes 23, 26, 29, Cat 4 with Foot Shell, spectra sock and 10 mm heel height



Exalto®

The Exalto foot offers energy storage capabilities, crafted to provide a secure and comfortable daily experience for individuals with low to moderate activity levels K1/K2. As a result of the split heel and full-length split keel design, Exalto provides a gradual and seamless rollover. It contributes to boosting patient confidence with each step taken.

Waterproof*
 *Waterproof note: Following exposure to chlorinated water, rinse immediately with fresh water and dry.

Features and Benefits

- Dual split blades, each spanning the entire length of the foot to promote stability and facilitate a comfortable rolling motion
- Adapts to uneven terrains by enabling the inversion/eversion movements of the split blades
- Optimised lightweight design
- Accommodates patients weights up to 166kg
- Resistant to immersion in salted and chlorinated water
- Low profile C-shaped spring promoting stability while facilitating a comfortable progression throughout stance phase



Ordering Information

Trial Period - This foot has a 30 day trial period.

Impact Level Descriptions

Low: Daily activities include mostly level ground walking, moving around in the home and the community.

Moderate: Daily activities include up to unlimited walking, climbing stairs and occasional moderate lifting (this does not include running).

Ordering Example - NF13124LL

Part Number	Cat.	Size (22-31)	Shell Colour (L,M,D)	Left/Right
NF13	1	24	L	L

Includes foot shell and Spectra® Sock

Category Selection*

Weight (kg)	Impact Level	
	Low	Mod
44-52	1	1
53-59	1	2
60-68	2	3
69-77	3	4
78-88	4	5
89-100	5	6
101-116	6	7
117-130	7	8
131-147	8	9
148-166	9	-

*Based on experience, it is recommended to increase the resistance for patients whose weight/activity is at the limit of the correspondence table.

Spare Parts Ordering Information

Part Number	Foot Shell Type
NFTC-3M-0 ▲●4-R ■	Standard, with CAP

Spare Parts Ordering Guide

- ▲ = Size in cm (22-31)
- = Skin Tone (L = Light, M = Medium, D = Dark)
- = "L" or "R" for Left or Right

Spectra® Sock	Colour	Size (cm)	Sock Size (cm)
NS0-NPS-20030-00	B	22-25	30
NS0-NPS-20035-00	B	26-28	35
NS0-NPS-20040-00	B	29-30	40

Colours: B = Black

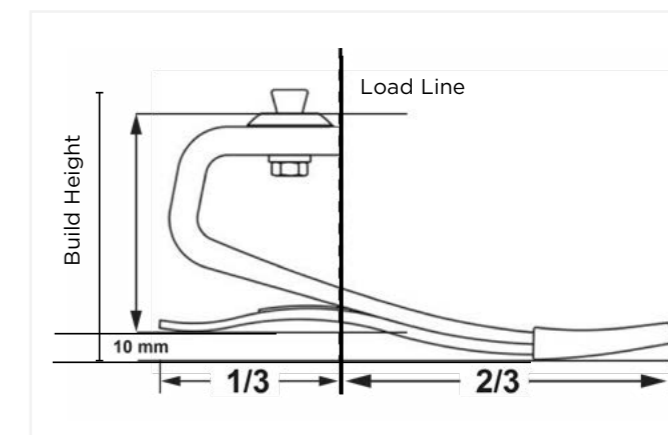
Optional Bumpers (sold separately)	Size (cm)
NKIT-00-1148U-00	Universal

Product Specification

Weight Limit (kg)	Impact Level	Sizes (cm)	Warranty
166kg	L M H	22-31	3 years Foot shell - 6 months

Technical Information

Build Height and Weight		
Size (cm)	Build Height (cm)	Foot inc. Shell
22-25	9.8	440g
26-28	11	540g
29-31	11.8	700g



Sierra®

Ideal for active users, the Sierra foot ensures a smoother gait without the energy loss typically associated with other shock absorbing systems. Its unique angle-top design increases the length of the carbon fibre spring, which maximises energy return and flexibility. The split-keel provides excellent inversion/eversion, allowing amputees to walk with confidence on uneven terrain.

Water-resistant*

*Water-resistant: Safe for contact with water and occasional submersion. Rinse immediately with fresh water and dry following exposure to water, particularly salt or chlorinated.

Features and Benefits

- Full length heel ensures exceptionally smooth gait
- Split-keel design
- Integral male pyramid
- Available in 9 stiffness categories



Sandal toe: sizes 22-28 only

Mid profile foot shell



Ordering Information

Trial Period - This foot has a 30 day trial period.

Impact Level Descriptions

Low: Daily activities include mostly level ground walking, moving around in the home and the community.

Moderate: Daily activities include up to unlimited walking, climbing stairs and occasional moderate lifting (this does not include running).

High: Daily activities include fast walking, jogging, running, lifting heavy objects and/or recreational sports.

Ordering Example - NFS1526L

Part Number	Category	Size (22-31)	Left/Right
NFS1	5	26	L

Sandal Toe Ordering Example - NFS1526SL

Part Number	Category	Size	Sandal Toe	Left/Right
NFS1	5	26	S	L

Sandal toe is only available in sizes 22-28.

Includes foot shell and Spectra® Sock

Category Selection

Weight (kg)	Impact Level		
	Low	Mod	High
44-52	1	1	2
53-59	1	2	3
60-68	2	3	4
69-77	3	4	5
78-88	4	5	6
89-100	5	6	7
101-116	6	7	8
117-130	7	8	9
131-147	8	9	-
148-166	9	-	-

Spare Parts Ordering Information

Part Number	Foot Shell Type
NFTC-3M-0 ▲●4-R ■	Standard, with CAP
NFTC-2M-1 ▲●4-S ■	Sandal Toe, without CAP

Cosmetic Attachment Plate

NCAP-3M-PO-▲●4-■

Spare Parts Ordering Guide

- ▲ = Size in cm (22-31 = Regular, 22-28 = Sandal Toe)
- = Skin Tone (L = Light, M = Medium, D = Dark)
- = "L" or "R" for Left or Right

Spectra® Sock	Colour	Size (cm)	Sock Size (cm)
NSO-NPS-20030-00	B	22-25	30
NSO-NPS-20035-00	B	26-28	35
NSO-NPS-20040-00	B	29-31	40

Colours: B = Black

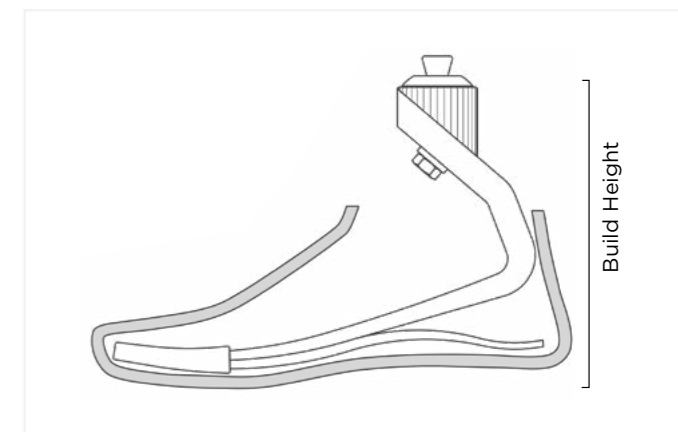
Bumper Kit	Size (cm)
NKIT-00-11353-00	22-25
NKIT-00-11354-00	26-28
NKIT-00-11355-00	29-31

Product Specification

Weight Limit	Impact Level	Weight of Unit	Sizes (cm)	Build Height (cm)	Warranty
166kg	L M H	515g	22-31	14.6 Size 25cm	3 years Foot shell - 6 months

Technical Information

Build Height and Weight		
Size (cm)	Build Height (cm)	Foot inc. Shell
22-25	14.6	515g
26-28	17.2	640g
29-31	18.7	750g



DynAdapt™

The carbon fibre DynAdapt foot is easy to fit and cover with a cosmesis thanks to its slim profile and anatomical design. The full-length split keel provides a smooth, uninterrupted roll-over from heel-strike to toe-off, as well as the medial/lateral compliance needed for good stability on uneven terrain. The advanced composite laminate delivers a high cycle fatigue in a design that also gives a high energy return.

CES FRE F07: Use this code to read the DynAdapt clinical evaluation summary on the Steeper website.

Water-resistant*

*Water-resistant: Safe for contact with water and occasional submersion. Rinse immediately with fresh water and dry following exposure to water, particularly salt or chlorinated.

Features and Benefits

- Slim profile, carbon fibre foot system with a slender, anatomical design
- Multi-axial function for maximum comfort
- Full length split keel gives an uninterrupted roll-over with good compliance and a dynamic response through to toe-off
- EnduraCore Technology* delivers up to 3 times the fatigue life of a standard laminate
- Available in 9 stiffness categories



Sandal toe: sizes 22-28 only

Mid profile foot shell



Ordering Information

Trial Period - This foot has a 30 day trial period.

Impact Level Descriptions

Low: Daily activities include mostly level ground walking, moving around in the home and the community.

Moderate: Daily activities include up to unlimited walking, climbing stairs and occasional moderate lifting (this does not include running).

High: Daily activities include fast walking, jogging, running, lifting heavy objects and/or recreational sports.

Ordering Example - NF10526R			
Part Number	Category	Size (22-31)	Left/Right
NF10	5	26	R

Sandal Toe Ordering Example - NF10526SL				
Part Number	Category	Size	Sandal Toe	Left/Right
NF10	5	26	S	L

Sandal toe is only available in sizes 22-28. Includes foot shell and Spectra® Sock.

Category Selection			
Weight (kg)	Impact Level		
	Low	Mod	High
44-52	1	1	2
53-59	1	2	3
60-68	2	3	4
69-77	3	4	5
78-88	4	5	6
89-100	5	6	7
101-116	6	7	8
117-130	7	8	9
131-147	8	9	-
148-166	9	-	-

Spare Parts Ordering Information

Part Number	Foot Shell Type
NFTC-3M-0 ▲●4-R■	Standard, with CAP
NFTC-2M-1 ▲●4-S■	Sandal Toe, without CAP

Spare Parts Ordering Guide

- ▲ = Size in cm (22-31 = Regular, 22-28 = Sandal Toe)
- = Skin Tone (L = Light, M = Medium, D = Dark)
- = "L" or "R" for Left or Right

Spectra® Sock	Colour	Size (cm)	Sock Size (cm)
NSO-NPS-20030-00	B	22-25	30
NSO-NPS-20035-00	B	26-28	35
NSO-NPS-20040-00	B	29-31	40

Colours: B = Black

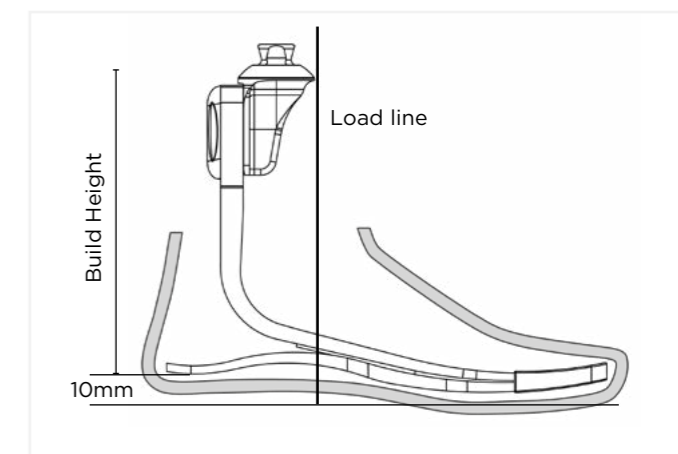
Bumper Kit	Size (cm)
NKIT-00-11373-00	22-25
NKIT-00-11374-00	26-28
NKIT-00-11375-00	29-31

Product Specification

Weight Limit	Impact Level	Sizes (cm)	Warranty
166kg	L M H	22-31	3 years Foot shell - 6 months

Technical Information

Build Height and Weight		
Size (cm)	Build Height (cm)	Foot inc. Shell
22-25	15.8	535g
26-28	17	635g
29-31	18.2	750g



Pacifica LP®

The Pacifica LP offers proven performance in an ultra-low profile design, which requires less than 50mm of clearance for most commonly used sizes. The split-keel design provides stability-enhancing inversion and eversion as well as being lightweight and durable.

Water-resistant*

*Water-resistant: Safe for contact with water and occasional submersion. Rinse immediately with fresh water and dry following exposure to water, particularly salt or chlorinated.

Features and Benefits

- Ultra low build height
- Integral male pyramid
- Split keel design
- Foot lies within the foot shell to improve cosmetic finishing
- Available in 9 stiffness categories



Ordering Information

Trial Period - This foot has a 30 day trial period.

Impact Level Descriptions

Low: Daily activities include mostly level ground walking, moving around in the home and the community.

Moderate: Daily activities include up to unlimited walking, climbing stairs and occasional moderate lifting (this does not include running).

High: Daily activities include fast walking, jogging, running, lifting heavy objects and/or recreational sports.

Note: Although the 'high' impact level states 'running' as an appropriate activity, the Pacifica LP is not ideal for running.

Ordering Example - NFS4526L				
Part Number	Category	Size (22-31)	Left/Right	
NFS4	5	26	L	

Sandal Toe Ordering Example - NFS4526SL				
Part Number	Category	Size	Sandal Toe	Left/Right
NFS4	5	26	S	L

Includes foot shell and Spectra® Sock

Category Selection			
Weight (kg)	Impact Level		
	Low	Mod	High
44-52	1	1	2
53-59	1	2	3
60-68	2	3	4
69-77	3	4	5
78-88	4	5	6
89-100	5	6	7
101-116	6	7	8
117-130	7	8	9
131-147	8	9	-
148-166	9	-	-

Spare Parts Ordering Information

Part Number	Foot Shell Type	
NFTC-3M-0 ▲●4-R ■	Standard, with CAP	
NFTC-2M-1 ▲●4-S ■	Sandal Toe, without CAP	
Cosmetic Attachment Plate		
NCAP-3M-PO- ▲● 4-■		

Spare Parts Ordering Guide
 ▲ = Size in cm (22-31 = Regular, 22-28 = Sandal Toe)
 ● = Skin Tone (L = Light, M = Medium, D = Dark)
 ■ = "L" or "R" for Left or Right

Spectra® Sock	Colour	Size (cm)	Sock Size (cm)
NSO-NPS-20030-00	B	22-25	30
NSO-NPS-20035-00	B	26-28	35
NSO-NPS-20040-00	B	29-31	40

Colours: B = Black

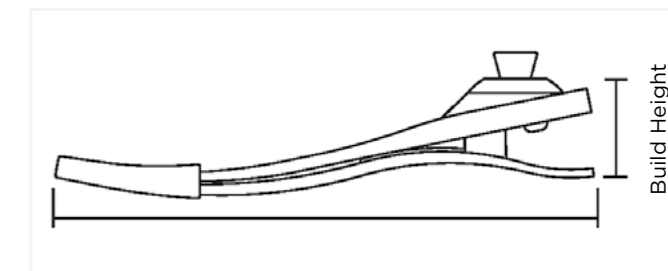
Bumper Kit	Size (cm)
NKIT-00-11323-00	22-25
NKIT-00-11324-00	26-28
NKIT-00-11325-00	29-31

Product Specification

Weight Limit	Impact Level	Weight of Unit	Sizes (cm)	Build Height (cm)	Warranty
166kg		465g Size 25cm	22-31	4.7 Size 25cm	3 years Foot shell - 6 months

Technical Information

Build Height and Weight		
Size (cm)	Build Height (cm)	Foot inc. Shell
22-25	4.7	465g
26-28	5	570g
29-31	6	760g



Highlander®

Engineered for active amputees who require a lower build height foot, the Highlander foot provides a smooth gait and excellent energy return. The split-keel provides stability on uneven terrain by enhancing inversion and eversion. Many transfemoral amputees prefer this foot because of its ideal balance of stability and dynamic response.

Features and Benefits

- Low build height with integral male pyramid
- Split keel design for excellent inversion/eversion
- Weight limit 166kg
- Available in 9 stiffness categories

Water-resistant*

*Water-resistant: Safe for contact with water and occasional submersion. Rinse immediately with fresh water and dry following exposure to water, particularly salt or chlorinated.



Sandal toe: sizes 22-28 only

Mid profile foot shell



Ordering Information

Trial Period - This foot has a 30 day trial period.

Impact Level Descriptions

Low: Daily activities include mostly level ground walking, moving around in the home and the community.

Moderate: Daily activities include up to unlimited walking, climbing stairs and occasional moderate lifting (this does not include running).

High: Daily activities include fast walking, jogging, running, lifting heavy objects and/or recreational sports.

Ordering Example - NFS3526L				
Part Number	Category	Size (22-31)	Left/Right	
NFS3	5	26	L	

Sandal Toe Ordering Example - NFS3526SL				
Part Number	Category	Size	Sandal Toe	Left/Right
NFS3	5	26	S	L

Includes foot shell and Spectra® Sock

Category Selection - Highlander			
Weight (kg)	Impact Level		
	Low	Mod	High
44-52	1	1	2
53-59	1	2	3
60-68	2	3	4
69-77	3	4	5
78-88	4	5	6
89-100	5	6	7
101-116	6	7	8
117-130	7	8	9
131-147	8	9	-
148-166	9	-	-

Spare Parts Ordering Information

Part Number	Foot Shell Type	
NFTC-3M-0 ▲●4-R ■	Standard, with CAP	
NFTC-2M-1 ▲●4-S ■	Sandal Toe, without CAP	
Cosmetic Attachment Plate		
NCAP-3M-PO- ▲●4-■		

Spare Parts Ordering Guide
 ▲ = Size in cm (22-31 = Regular, 22-28 = Sandal Toe)
 ● = Skin Tone (L = Light, M = Medium, D = Dark)
 ■ = "L" or "R" for Left or Right

Spectra® Sock	Colour	Size (cm)	Sock Size (cm)
NSO-NPS-20030-00	B	22-25	30
NSO-NPS-20035-00	B	26-28	35
NSO-NPS-20040-00	B	29-31	40

Colours: B = Black

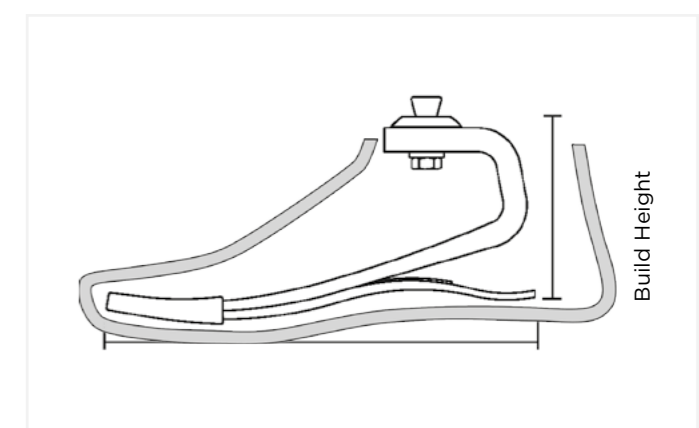
Bumper Kit	Size (cm)
NKIT-00-11303-00	22-25
NKIT-00-11304-00	26-28
NKIT-00-11305-00	29-31

Product Specification

Weight Limit	Impact Level	Weight of Unit	Sizes (cm)	Build Height (cm)	Warranty
166kg		470g Size 25cm	22-31	10.8 (size 25)	3 years Foot shell - 6 months

Technical Information

Build Height and Weight		
Size (cm)	Build Height (cm)	Foot inc. Shell
22-25	10.8	470g
26-28	12.1	590g
29-31	30	750g





Highlander® MAX

The Highlander Max enables the benefits of the Highlander to be made available to amputees over 166kg. With an industry highest weight limit of 226kg, this foot can be used in conjunction with the Heavy Duty Component Kit (NAC 202) to provide a prosthesis to virtually any transtibial amputee.

Water-resistant*

*Water-resistant: Safe for contact with water and occasional submersion. Rinse immediately with fresh water and dry following exposure to water, particularly salt or chlorinated.

Features and Benefits

- Low build height with integral male pyramid
- Split keel design for excellent inversion/eversion
- Available up to weight limit 226kg
- Available in 3 stiffness categories



Sandal toe: sizes 26-28 only

Mid profile foot shell



Ordering Information

Note: Highlander Max is a special order item, therefore please allow a 10-14 day lead time. There is no trial on this product.

Impact Level Descriptions

Low: Daily activities include mostly level ground walking, moving around in the home and the community.

Moderate: Daily activities include up to unlimited walking, climbing stairs and occasional moderate lifting (this does not include running).

Ordering Example - NFS31126L

Part Number	Category	Size (26-31)	Left/Right
NFS3	11	26	L

Sandal Toe Ordering Example - NFS31126SL

Part Number	Category	Size	Sandal Toe	Left/Right
NFS3	11	26	S	L

Includes foot shell and Spectra® Sock

Category Selection - Highlander MAX (kg)

166-190kg	10
191-217kg	11
218-226kg	12



34mm Heavy Duty Component Kit (Max Only)	Weight Limit
NAC-202	226kg
Two 34mm Tube Clamps 4-Prong Connector, 34mm Pylon	

Replacement - 4-Prong Connector
NACC-00-20202-00

Spare Parts Ordering Information

Part Number	Foot Shell Type	
NFTC-3M-0 ▲●4-R ■	Standard, with CAP	
NFTC-2M-1 ▲●4-S ■	Sandal Toe, without CAP	
Cosmetic Attachment Plate		
NCAP-3M-PO- ▲●4-■		

Spare Parts Ordering Guide

- ▲ = Size in cm (22-31 = Regular, 22-28 = Sandal Toe)
- = Skin Tone (L = Light, M = Medium, D = Dark)
- = "L" or "R" for Left or Right

Spectra® Sock	Colour	Size (cm)	Sock Size (cm)
NSO-NPS-20030-00	B	22-25	30
NSO-NPS-20035-00	B	26-28	35
NSO-NPS-20040-00	B	29-31	40

Colours: B = Black

Bumper Kit	Size (cm)
NKIT-00-11304-00	26-28
NKIT-00-11305-00	29-31

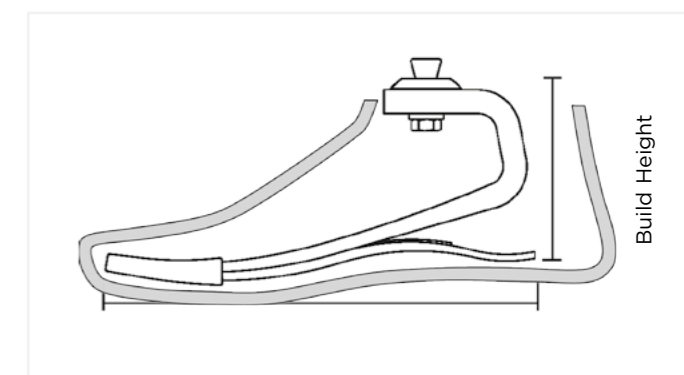
Product Specification

Weight Limit	Impact Level	Weight of Unit	Sizes (cm)	Build Height (cm)	Warranty
226kg		590g Size 26cm	26-31	12.1 Size 26cm	1 year Foot shell - 6 months

Technical Information

Build Height and Weight

Size (cm)	Build Height (cm)	Foot inc. Shell
22-25	10.8	470g
26-28	12.1	590g
29-31	30	750g





Agilix™

The Agilix™ is a multi-axial, shock-absorbing flexible foot system designed to manage loading impacts, reduce socket shear forces and improve comfort whilst walking on uneven terrain. The ultra-lightweight design offers K3 ambulators comfortable performance.

Water-resistant*

*Water-resistant: Safe for contact with water and occasional submersion. Rinse immediately with fresh water and dry following exposure to water, particularly salt or chlorinated.

Features and Benefits

- Vertical shock absorption and carbon fibre flexibility optimised for low to moderate impact K3 ambulators; reduces socket shear forces and improves overall comfort
- Split keel design for increased durability
- Multi-axial function increases ground compliance and stability
- Full-length dynamic heel attached at the toe ensures a seamless roll-over, for superior comfort and a more symmetrical gait
- The low profile and lightweight design of the Agilix allows users to do more and feel less tired at the end of the day



Sandal toe: sizes 22-28 only

Ordering Information

Trial Period - This foot has a 30 day trial period.

Impact Level Descriptions

Low: Daily activities include mostly level ground walking, moving around in the home and the community.

Moderate: Daily activities include up to unlimited walking, climbing stairs and occasional moderate lifting (this does not include running).

Ordering Example - NF15122L

Part Number	Category	Size (22-31)	Left/Right
NF15	5	22	L

Sandal Toe Ordering Example - NF15122SL

Part Number	Category	Size	Sandal Toe	Left/Right
NF15	5	22	S	L

Sandal toe is only available in sizes 22-28.

Includes foot shell and Spectra® Sock

Category Selection		
Weight (kg)	Impact Level	
	Low	Mod
44-52	1	1
53-59	1	2
60-68	2	3
69-77	3	4
78-88	4	5
89-100	5	6
101-116	6	7
117-130	7	8
131-147	8	9
148-166	9	-

Spare Parts Ordering Information

Part Number	Foot Shell Type	
NFTC-3M-0 ▲●4-R ■	Standard, with CAP	
NFTC-2M-1 ▲●4-S ■	Sandal Toe, without CAP	

Spare Parts Ordering Guide

- ▲ = Size in cm (22-31 = Regular, 22-28 = Sandal Toe)
- = Skin Tone (L = Light, M = Medium, D = Dark)
- = "L" or "R" for Left or Right

Spectra® Sock	Colour	Size (cm)	Sock Size (cm)
NSO-NPS-20030-00	B	22-25	30
NSO-NPS-20035-00	B	26-28	35
NSO-NPS-20040-00	B	29-31	40

Colours: B = Black

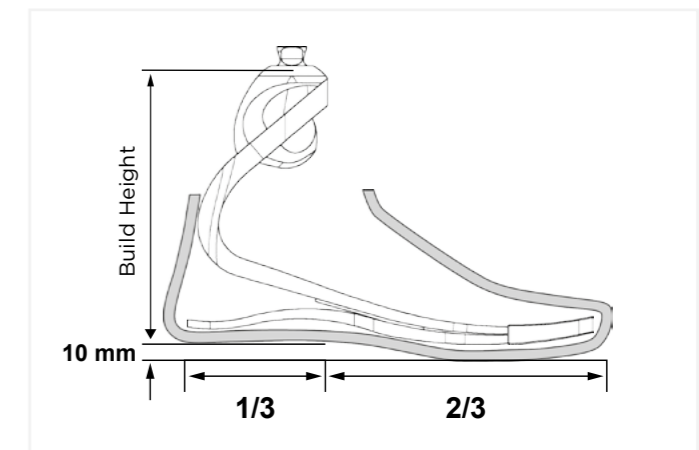
Bumper Kit	Size (cm)
NKIT-00-11363-00	22-25
NKIT-00-11364-00	26-28
NKIT-00-11365-00	29-31

Product Specification

Weight Limit	Impact Level	Weight of Unit	Sizes (cm)	Build Height (cm)	Warranty
166kg		515g	22-31	14.3 Size 25cm	3 years Foot shell - 6 months

Technical Information

Build Height and Weight		
Size (cm)	Build Height (cm)	Foot inc. Shell
22-25	14.3	553g
26-28	16.1	609g
29-31	17.2	772g





Shockwave™

The Shockwave incorporates a Spherical Shock Unit (SSU) and proprietary EnduraCore® composite technology, in this classic PROTEOR foot design. The SSU provides both vertical shock absorption and transverse rotation giving active K3/K4 users a more natural and comfortable experience everyday. This foot is beneficial for both transtibial and transfemoral users, providing great results when used in combination with a microprocessor knee.

Features and Benefits

- Spherical Shock Unit (SSU) provides ultimate vertical shock absorption at heel strike and also a transverse rotation of +/-15 degrees easing stress and pressure on the residual limb
- J-shaped keel spring offers optimum compliance and tibial progression in combination with efficient energy return
- Delivers superior mediolateral range of movement improving stability, comfort, and confidence on various terrains
- EnduraCore® technology balances strength, flexibility, and energy return to enhance durability without compromising function

Water-resistant*

*Water-resistant: Safe for contact with water and occasional submersion. Rinse immediately with fresh water and dry following exposure to water, particularly salt or chlorinated.



Ordering Information

Trial Period - This foot has a 30 day trial period.

Impact Level Descriptions

Moderate: Daily activities include up to unlimited walking, climbing stairs and occasional moderate lifting (this does not include running).

High: Daily activities include fast walking, jogging, running, lifting heavy objects and/or recreational sports.

Ordering Example - NF20523L

Part Number	Category	Size (23-30)	Left/Right
NF20	5	23	L

Sandal Toe Ordering Example - NF20523SL

Part Number	Category	Size	Sandal Toe	Left/Right
NF20	5	23	S	L

Includes foot shell, heel bumper kit and Spectra® Sock

All foot shells are available in Light, Medium and Dark colours

Category Selection

Weight (kg)	Impact Level		
	Low	Mod	High
44-52	1	1	2
53-59	1	2	3
60-68	2	3	4
69-77	3	4	5
78-88	4	5	6
89-100	5	6	7
101-116	6	7	8
117-130	7	8	-
131-147	8	-	-

Toe Configuration

Code	Description
Leave Blank	Regular
S	Sandal Toe**

**Sandal toe only available in sizes 23-28cm

Product Specification

Weight Limit	Impact Level	Activity Level	Weight of Unit
147kg	L M H	K3/K4	978g Size 26cm
Sizes (cm)	Warranty		
23-30	3 years Foot shell - 6 months		

Spare Parts Ordering Information

Part Number	Foot Shell Type
NFTC-3F-0 ▲●●4-R ■	Regular without CAP
NFTC-2F-1 ▲●●4-S ■	Sandal Toe without CAP

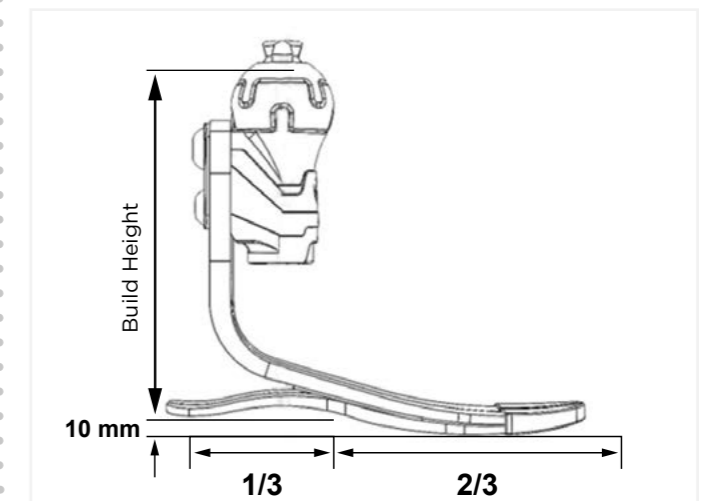
Foot Shell Ordering Guide

- ▲ = Size in cm (23-30 = Regular, 23-28 = Sandal Toe)
- = Skin Tone (L = Light, M = Medium, D = Dark)
- = Side (R = Right, L = Left)

Spectra® Sock	Colour	Size (cm)	Sock Size (cm)
NSO-NPS-20030-00	B	22-25	30
NSO-NPS-20035-00	B	26-28	35
NSO-NPS-20040-00	B	29-31	40

Colour: B = Black

Bumper Kit	Size (cm)
NKIT-00-11463	23-25
NKIT-00-11464	26-28
NKIT-00-11465	29-30



Build Height and Weight		
Size (cm)	Build Height (cm)	Foot inc. Shell
23-25	17.6	897g
26-28	18.9	978g
29-30	20	1131g

EASY RUN

Whether exploring new activities, or looking to take daily workouts to a new level, the EASY RUN is an ideal solution.

The curved fibreglass blade and anti-slip Vibram® Sole plate allow users to focus on improving mobility and performance, whether that is in the gym, at the park, or on the trail. Users can take their EASY RUN workout outside with confidence.

Features and Benefits

- Weatherproof
- Curved fibreglass blade
- Lower blade with optimized curvature
- 6 vibrant designs
- Exchangeable sole plate



Rotatable titanium pyramid adapter

Anti-slip sole available in black and green

Fibreglass Designs



Orange

Black

Water

Tag

Purple

USA Fibreglass Design

Ordering Information

Trial Period - This foot has a 30 day trial period.

Impact Level Descriptions

Moderate: Daily activities include up to unlimited walking, climbing stairs and occasional moderate lifting (this does not include running).

High: Daily activities include fast walking, jogging, running, lifting heavy objects and/or recreational sports.

Ordering Example: N1A9205U

Part ID	Category	Colour
N1A920	1-9	
	USA	U Water E
	Orange	O Tag G
	Black	N Purple V

Category Selection

Weight (kg) Activity Level	40-49	50-59	60-69	70-79	80-89	90-99	100-110
Moderate	-	1	2	3	4	5	6
High	1	2	3	4	5	6	-

Spare Parts Ordering Information

Replacement Sole

Part Number	Colour
N1A92013-2	Black
N1A92013-1	Green

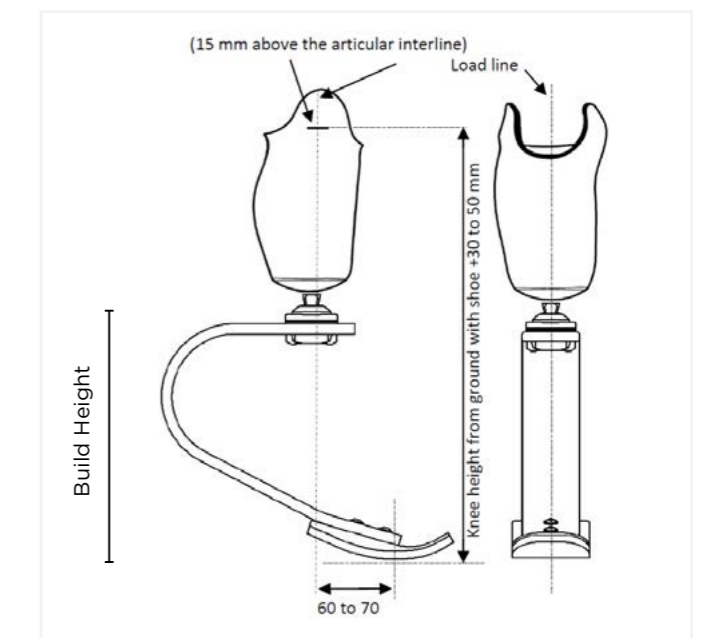
Product Specification

Connection	Weight Limit (kg)	Impact Level	Weight of Unit (g)	Warranty
Rotatable Pyramid	110kg	M H	1080g Category 6	1 year

Technical Information

Build Height and Weight

Category	Build Height (cm)	Weight (g)
1	22.0	930
2	22.0	960
3	22.0	990
4	22.0	1020
5	22.0	1050
6	22.0	1080



HOPPER

The HOPPER running blade was designed with the planet in mind, constructed with repurposed carbon fibre from the aeronautical industry. With a broad base for stability, this blade meets the demands of high impact activity while offering a compliant response improving comfort. The proximal 4-hole adapter makes fitting simple, and the sole grip is easily replaced.

Available in two blade heights, and a variety of categories, this foot is accessible to experienced athletes, brave beginner's, and a variety of age groups; all of whom can benefit from an effective running blade whilst keeping the impact on our environment in mind.

Features and Benefits

- Constructed using repurposed carbon waste from the aeronautical industry
- Efficient energy return integrated with forgiving compliance
- Broad base of support
- Established Salomon outsole that is easily replaced
- Available in two blade sizes: Audacieuse (Standard >24cm Build height) and Intrepide (Short >19cm build height)
- Accommodates patient weight up to 110kg



Ordering Information

Impact Level Descriptions

Moderate: Daily activities include up to unlimited walking, climbing stairs and occasional moderate lifting (this does not include running).

High: Daily activities include fast walking, jogging, running, lifting heavy objects and/or recreational sports.

Ordering Example - NHL02PXS		
Part Number	Model (01-02)*	Cat.
NHL	02	PXS

*Audacieuse = 01, Intrepide = 02

Category Selection												
Weight (kg)	35-45		46-55		56-67		68-78		79-90		91-110	
Activity Level	L/M	H	L/M	H	L/M	H	L/M	H	L/M	H	L/M	H
Audacieuse (>240mm)**	-	-	XS	S	S	M	M	L	L	XL	XL	XL
Intrepide (>190mm)**	PXS	PXS	PXS	PS	PS	PM	PM	PL	PL	PXL	PXL	PXL

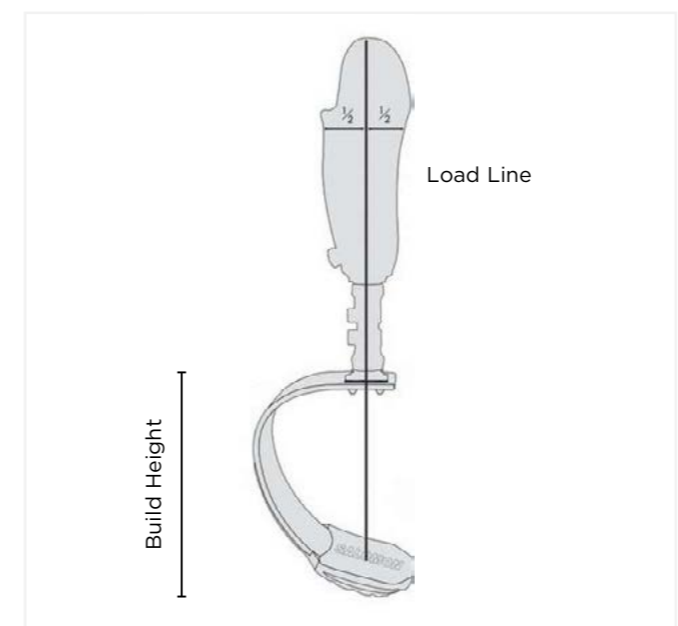
**Minimum clearance: distance between the bottom of the socket and the ground on the walking prosthesis with shoe.
 Please note: For bilateral patients: increase by one category for added stability.

Product Specification

Material	Outsole	Weight Limit (kg)	Impact Level	Warranty
Recycled carbon fiber	Salomon® Blue Fire	110		2 years Outsole - 6 months

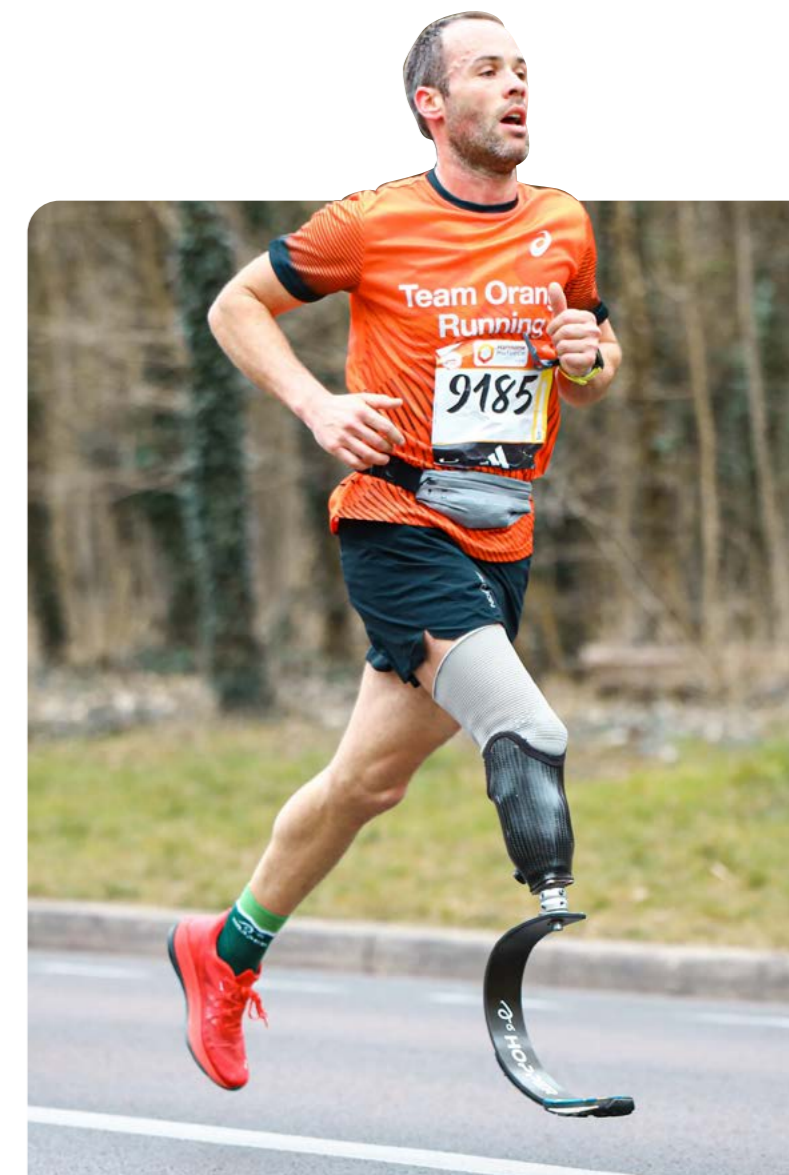
Technical Information

Build Height and Weight		
Model	Build Height	Weight of Unit
Audacieuse	240mm	840g
Intrepide	190mm	740g



Spare Parts Ordering Information

Outsole NHS01B	
Pyramid Protector N1X998	
Female Universal Top Adaptor NHA01F	Male Universal Top Adaptor NHA01M



RUSH HiPro®

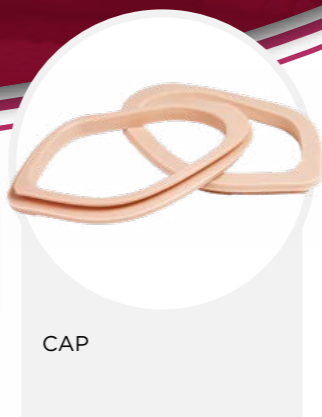
The RUSH HiPro foot provides a realistic and responsive foot and ankle motion. Virtually indestructible, the HiPro is made from an advanced engineered fibreglass composite which is three times more flexible than most conventional prosthetic feet. The energy return of this foot enables users to easily traverse the most aggressive terrain whilst experiencing no "dead spots", and the smooth roll-over makes it suitable for a range of K3-K4 activities, from walking and golfing to sprinting and basketball.

Features and Benefits

- Highly dynamic and durable with a smooth roll-over
- Built for all-terrain
- Highly resistant Elastomer bumper providing progressive shock absorption
- High-tech rubber adhesive contributes to the flexibility of this foot
- Fresh and salt waterproof*
- Accommodates patient weight up to 166kg
- Available in H2O (page 38) and EVAQ8 (page 40)

Waterproof*

*Waterproof note: Following exposure to chlorinated water, rinse immediately with fresh water and dry.



Ordering Information

Trial Period - This foot has a 30 day trial period.

Impact Level Descriptions

Moderate: Daily activities include up to unlimited walking, climbing stairs and occasional moderate lifting (this does not include running).

High: Daily activities include fast walking, jogging, running, lifting heavy objects and/or recreational sports.

Regular Toe Ordering Example - NHIP247LR

Part Number	Size (22-29)	Cat.	Foot Shell Colour (L/D)	Left/Right
NHIP	24	7	L	R

Sandal Toe Ordering Example - NHIP236MSR

Part Number	Size (22-29)	Cat.	Foot Shell Colour (L/M/D)	Toe	Left/Right
NHIP	23	6	M	S	R

Category Selection

Weight (kg)	0-48		49-64		64-79		80-95		96-111		112-127		128-143		144-159		160-166		
	L/M	H	L/M	H	L/M	H	L/M	H	L/M	H	L/M	H	L/M	H	L/M	H	L/M	H	
22	1	2	2	3	3	4	4	5	5	-	-	-	-	-	-	-	-	-	-
23	1	2	2	3	3	4	4	5	5	-	-	-	-	-	-	-	-	-	-
24	-	-	2	3	3	4	4	5	5	6	6	-	-	-	-	-	-	-	-
25	-	-	2	3	3	4	4	5	5	6	6	7	7	-	-	-	-	-	-
26	-	-	2	3	3	4	4	5	5	6	6	7	7	-	-	-	-	-	-
27	-	-	-	-	3	4	4	5	5	6	6	7	7	8	8	9	9	-	-
28	-	-	-	-	3	4	4	5	5	6	6	7	7	8	8	9	9	-	-
29	-	-	-	-	3	4	4	5	5	6	6	7	7	8	8	9	9	-	-

Please note: Increasing category numbers indicate increased keel response. FOR BILATERAL PATIENTS: Increase by one category for added stability.

Product Specification

Weight Limit	Impact Level	Sizes (cm)	Warranty
166kg	M H	22-29	3 years Foot shell - 6 months

Technical Information

Weight (g) Size 25 without foot shell	Build Height and Weight	
	Size (cm)	Build Height (mm)
653g	22-24	165
	25-27	175
	28-29	181

Spare Parts Ordering Information

Part Number	Foot Shell Type
NFS-▲-■●	Standard, with CAP
NFTC-4R-1▲★4-S■	Sandal toe, without CAP

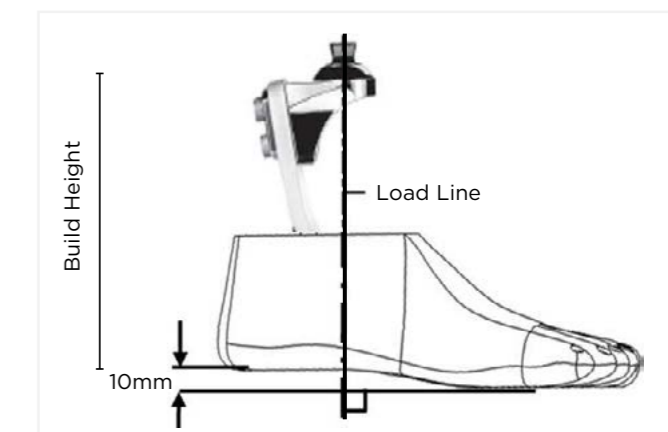


Spare Parts Ordering Guide

- ▲ = Size in cm (22-29)
- = "L" or "R" for Left or Right
- = Skin Tone (1 = Light, 3 = Dark)
- ★ = Skin Tone (L = Light, M = Medium, D = Dark)

Spectra' Sock	Colour	Size (cm)	Sock Size (cm)
NSO-NPS-20035-00	B	22-29	35

Colours: B = Black



RUSH RAMPAGE®

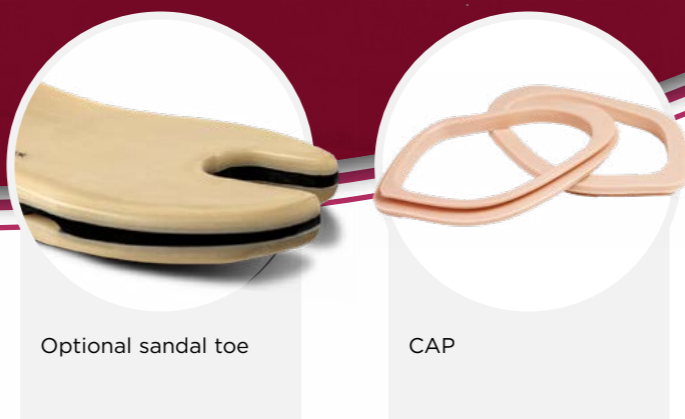
The RUSH RAMPAGE is the ideal solution for individuals seeking a blend of both cosmetic and high-performance capabilities. With a lower product weight of only 595g, the RAMPAGE is the lightest foot in the RUSH range. Simulating a natural gait through the biometric ankle motion, this prosthesis offers smooth roll-over and high energy return.

Waterproof*

*Waterproof note: Following exposure to chlorinated water, rinse immediately with fresh water and dry.

Features and Benefits

- Cosmesis-ready to meet your patient's aesthetic preferences
- Lightweight fibreglass composite design
- Highly dynamic and durable with a smooth roll-over
- Built for all-terrain
- Fresh and salt waterproof*
- Accommodates patient weight up to 166kg
- Available in H2O (page 38) and EVAQ8 (page 40)



Optional sandal toe

CAP



Ordering Information

Trial Period - This foot has a 30 day trial period.

Impact Level Descriptions

Moderate: Daily activities include up to unlimited walking, climbing stairs and occasional moderate lifting (this does not include running).

High: Daily activities include fast walking, jogging, running, lifting heavy objects and/or recreational sports.

Regular Toe Ordering Example - NRAM224DR

Part Number	Size (22-29)	Cat.	Foot Shell Colour (L/D)	Left/Right
NRAM	22	4	D	R

Sandal Toe Ordering Example - NRAM285MSL

Part Number	Size (22-29)	Cat.	Foot Shell Colour (L/M/D)	Toe	Left/Right
NRAM	28	5	M	S	L

Category Selection

Weight (kg)	0-48		49-64		64-79		80-95		96-111		112-127		128-143		144-159		160-166		
	L/M	H	L/M	H	L/M	H	L/M	H	L/M	H	L/M	H	L/M	H	L/M	H	L/M	H	
22	1	2	2	3	3	4	4	5	5	-	-	-	-	-	-	-	-	-	-
23	1	2	2	3	3	4	4	5	5	6	6	-	-	-	-	-	-	-	-
24	1	2	2	3	3	4	4	5	5	6	6	-	-	-	-	-	-	-	-
25	-	-	2	3	3	4	4	5	5	6	6	7	7	-	-	-	-	-	-
26	-	-	2	3	3	4	4	5	5	6	6	7	7	-	-	-	-	-	-
27	-	-	-	-	3	4	4	5	5	6	6	7	7	-	-	-	-	-	-
28	-	-	-	-	3	4	4	5	5	6	6	7	7	8	8	9	9	-	-
29	-	-	-	-	3	4	4	5	5	6	6	7	7	8	8	9	9	-	-

Please note: Increasing category numbers indicate increased keel response. FOR BILATERAL PATIENTS: Increase by one category for added stability.

Product Specification

Weight Limit (kg)	Impact Level	Sizes (cm)	Warranty
166kg	M H	22-29	3 years Foot shell - 6 months

Technical Information

Weight (g) Size 25 without foot shell	Build Height and Weight	
	Size (cm)	Build Height (cm)
595g	22-24	168
	25-27	181
	28-29	184

Spare Parts Ordering Information

Part Number	Foot Shell Type
NFS-▲-■●	Standard, with CAP
NFTC-4R-1▲★4-S■	Sandal toe, without CAP

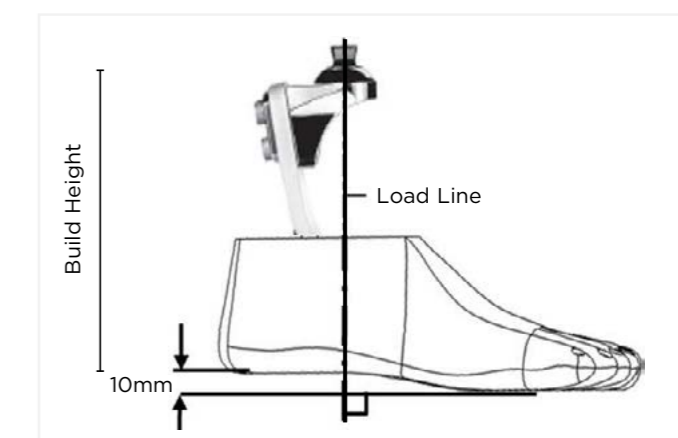


Spare Parts Ordering Guide

- ▲ = Size in cm (22-29)
- = "L" or "R" for Left or Right
- = Skin Tone (1 = Light, 3 = Dark)
- ★ = Skin Tone (L = Light, M = Medium, D = Dark)

Spectra® Sock	Colour	Size (cm)	Sock Size (cm)
NSO-NPS-20035-00	B	22-29	35

Colours: B = Black



RUSH RAMPAGE LP®

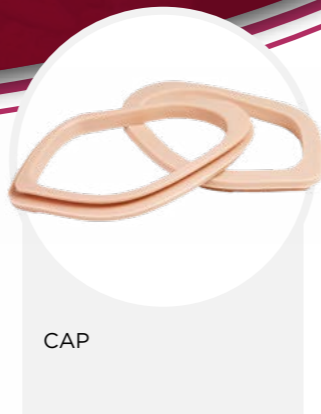
Thanks to the unique sole plate and durable glass composite, the RAMPAGE LP delivers a smooth transition from heel strike to toe-off. The low-profile and cosmesis-friendly design of the RUSH RAMPAGE LP makes it a great option for users with limited clearance whilst seeking the ultimate blend of comfort, performance, and durability. Similar to other feet in the RUSH range, the RAMPAGE LP features a high degree of flexibility, exceptional energy return, and zero "dead spots" meaning users participating in K3-K4 activities can do so comfortably.

Features and Benefits

- Smooth roll-over and high energy return
- Built for all-terrain
- Highly resistant Elastomer bumper providing progressive shock absorption
- High-tech rubber adhesive contributes to the flexibility of this foot
- Fresh and salt waterproof*
- Accommodates patient weight up to 166kg
- Available in H2O (page 38) and EVAQ8 (page 40)

Waterproof*

*Waterproof note: Following exposure to chlorinated water, rinse immediately with fresh water and dry.



Ordering Information

Trial Period - This foot has a 30 day trial period.

Impact Level Descriptions

Moderate: Daily activities include up to unlimited walking, climbing stairs and occasional moderate lifting (this does not include running).

High: Daily activities include fast walking, jogging, running, lifting heavy objects and/or recreational sports.

Regular Toe Ordering Example - NRAMLP224DR

Part Number	Size (22-29)	Cat.	Foot Shell Colour (L/D)	Left/Right
NRAMLP	22	4	D	R

Sandal Toe Ordering Example - NRAMLP285MSL

Part Number	Size (22-29)	Cat.	Foot Shell Colour (L/M/D)	Toe	Left/Right
NRAMLP	28	5	M	S	L

Category Selection

Weight (kg)	0-48			49-64			64-79			80-95			96-111			112-127			128-143			144-159			160-166		
	L	M	H	L	M	H	L	M	H	L	M	H	L	M	H	L	M	H	L	M	H	L	M	H	L	M	H
22	1	2	3	2	3	4	3	4	-	4	-	-	-	-	-	-	-	-	-	-	-	-	-	-	-	-	-
23	1	2	3	2	3	4	3	4	5	4	5	-	5	-	-	-	-	-	-	-	-	-	-	-	-	-	-
24	1	2	3	2	3	4	3	4	5	4	5	-	5	-	-	-	-	-	-	-	-	-	-	-	-	-	-
25	-	2	3	2	3	4	3	4	5	4	5	6	5	6	7	6	7	-	7	-	-	-	-	-	-	-	-
26	-	2	3	2	3	4	3	4	5	4	5	6	5	6	7	6	7	8	7	8	-	8	-	-	-	-	-
27	-	2	3	2	3	4	3	4	5	4	5	6	5	6	7	6	7	8	7	8	-	8	-	-	-	-	-
28	-	-	-	-	3	4	3	4	5	4	5	6	5	6	7	6	7	8	7	8	9	8	9	-	9	-	-
29	-	-	-	-	3	4	3	4	5	4	5	6	5	6	7	6	7	8	7	8	9	8	9	-	9	-	-

Please note: Increasing category numbers indicate increased keel response. FOR BILATERAL PATIENTS: Increase by one category for added stability.

Product Specification

Weight Limit (kg)	Impact Level	Sizes (cm)	Warranty
166kg	M H	22-29	3 years Foot shell - 6 months

Technical Information

Weight (g) Size 25 without foot shell	Build Height and Weight	
	Size (cm)	Build Height (mm)
538g	22-24	114
	25-27	121
	28-29	121

Spare Parts Ordering Information

Part Number	Foot Shell Type
NFS-▲-■●	Standard, with CAP
NFTC-4R-1▲★4-S■	Sandal toe, without CAP

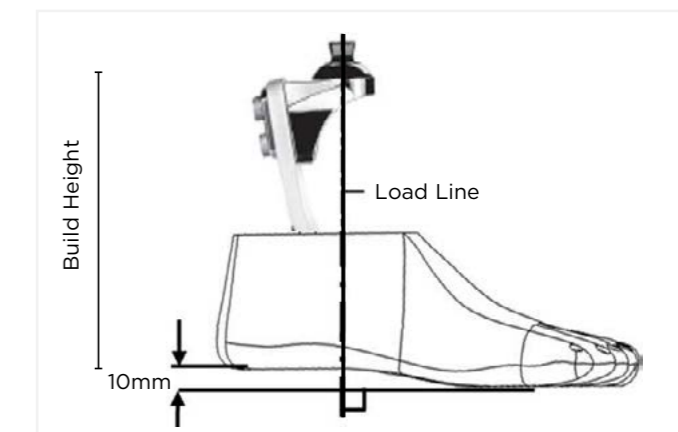


Spare Parts Ordering Guide

- ▲ = Size in cm (22-29)
- = "L" or "R" for Left or Right
- = Skin Tone (1 = Light, 3 = Dark)
- ★ = Skin Tone (L = Light, M = Medium, D = Dark)

Spectra' Sock	Colour	Size (cm)	Sock Size (cm)
NSO-NPS-20035-00	B	22-29	35

Colours: B = Black



RUSH ROGUE® 2

The RUSH ROGUE 2 provides a realistic and dynamic foot and ankle motion. With vertical shock and torsion, this foot provides comfortable relief from high-impact loading allowing the user to push the foot to the limits. The components are made of advanced fibreglass composite which is three times more flexible than most conventional prosthetic feet. The roll-through characteristics of the foot provide exceptional energy return with no "dead spots" for users on the court or aggressive terrain.

Features and Benefits

- Vertical loading pylon for vertical shock relief and impact absorption
- Smooth roll through for high energy return and comfort in any situation
- Biomimetic ankle action to simulate the human foot
- Extreme reliability for extended use in high impact applications
- Fresh and salt waterproof*
- Rotational torsion relief to ease the impact to knee, hip, and back (± 15°)
- Available in H2O (page 38) and EVAQ8 (page 40)

Waterproof*

*Waterproof note: Following exposure to chlorinated water, rinse immediately with fresh water and dry.



Optional sandal toe

CAP



Ordering Information

Trial Period - This foot has a 30 day trial period.

Impact Level Descriptions

Moderate: Daily activities include up to unlimited walking, climbing stairs and occasional moderate lifting (this does not include running).

High: Daily activities include fast walking, jogging, running, lifting heavy objects and/or recreational sports.

Regular Toe Ordering Example - NROG2287DR

Part Number	Size (22-29)	Cat.	Foot Shell Colour (L/D)	Left/Right
NROG2	28	7	D	R

Sandal Toe Ordering Example - NROG2275MSL

Part Number	Size (22-29)	Cat.	Foot Shell Colour (L/M/D)	Toe	Left/Right
NROG2	27	5	M	S	L

Category Selection

Weight (kg)	0-48		49-64		64-79		80-95		96-111		112-127		128-143		144-159		160-166		
	L/M	H	L/M	H	L/M	H	L/M	H	L/M	H	L/M	H	L/M	H	L/M	H	L/M	H	
22	1	2	2	3	3	4	4	5	5	-	-	-	-	-	-	-	-	-	-
23	1	2	2	3	3	4	4	5	5	-	-	-	-	-	-	-	-	-	-
24	-	-	2	3	3	4	4	5	5	6	6	-	-	-	-	-	-	-	-
25	-	-	2	3	3	4	4	5	5	6	6	7	7	-	-	-	-	-	-
26	-	-	2	3	3	4	4	5	5	6	6	7	7	-	-	-	-	-	-
27	-	-	-	-	3	4	4	5	5	6	6	7	7	8	8	9	9	-	-
28	-	-	-	-	3	4	4	5	5	6	6	7	7	8	8	9	9	-	-
29	-	-	-	-	3	4	4	5	5	6	6	7	7	8	8	9	9	-	-

Please note: Increasing category numbers indicate increased keel response. FOR BILATERAL PATIENTS: Increase by one category for added stability.

Product Specification

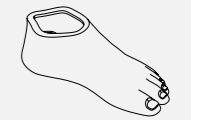
Weight Limit (kg)	Impact Level	Sizes (cm)	Warranty
166kg	M H	22-29	3 years Foot shell - 6 months

Technical Information

Weight (g) Size 25 without foot shell	Build Height and Weight	
	Size (cm)	Build Height (mm)
875g	22-24	155
	25-27	168
	28-29	171

Spare Parts Ordering Information

Part Number	Foot Shell Type
NFS-▲-■●	Standard, with CAP
NFTC-4R-1▲★4-S■	Sandal toe, without CAP

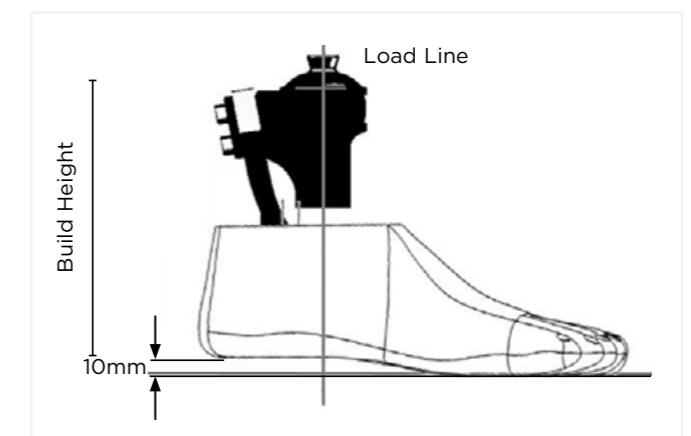


Spare Parts Ordering Guide

- ▲ = Size in cm (22-29)
- = "L" or "R" for Left or Right
- = Skin Tone (1 = Light, 3 = Dark)
- ★ = Skin Tone (L = Light, M = Medium, D = Dark)

Spectra® Sock	Colour	Size (cm)	Sock Size (cm)
NSO-NPS-20035-00	B	22-29	35

Colours: B = Black



RUSH H2O Collection

The RUSH H2O collection features ideal feet for a shower leg or various, non-invasive water sport activities. Available in the tried-and-true RUSH HiPro, RAMPAGE, RAMPAGE LP and ROGUE models and featuring an integrated Vibram® sole and custom moulded rubber toe wrap for a strong grip.

The RUSH H2O collection of feet offer the same durability and comfort as all other RUSH feet, with the addition of superior traction on slick surfaces. From the shower to the pool, these feet provide grip and added confidence required on slippery surfaces.

Features and Benefits

- Integrated Vibram® sole and custom moulded rubber toe wrap for a strong grip
- Fresh and salt waterproof*
- Ideal for non-invasive water sports such as kayaking and surfing, and barefoot activities such as karate and yoga
- Function consistent with established RUSH foot models, providing users with more familiar support and response

Waterproof*
 *Waterproof note: Following exposure to chlorinated water, rinse immediately with fresh water and dry.



Integrated Vibram® sole



Waterproof in fresh and salt water

Ordering Information

Trial Period - This foot has a 30 day trial period.

Impact Level Descriptions

Moderate: Daily activities include up to unlimited walking, climbing stairs and occasional moderate lifting (this does not include running).

High: Daily activities include fast walking, jogging, running, lifting heavy objects and/or recreational sports.

Ordering Example: NH2RAM278

Part ID	Size	Category*
	22-29	1-9
HiPRO H2O	NH2H	
ROUGE 2 H2O	NH2R2	
RAMPAGE H2O	NH2RAM	
RAMPAGE LP H2O	NH2RAMLP	

*For category selection, see individual product pages.

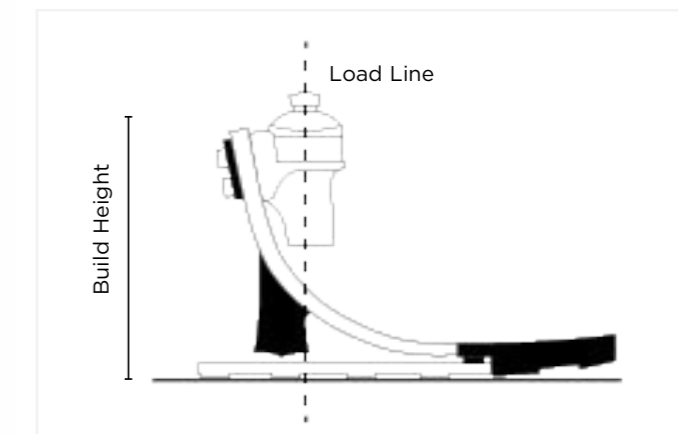
Foot shell and Spectra® Sock to be ordered separately, see individual product pages for ordering information.

Product Specification

Weight Limit (kg)	Impact Level	Sizes (cm)	Warranty
166kg	M H	22-29	3 years Foot shell - 6 months

Technical Information

Product	Weight (g) Size 25	Build Height and Weight	
		Size (cm)	Build Height (mm)
HiPro H2O	742g	22-24	152
		25-27	159
		28-29	175
ROUGE 2 H2O	850g	22-24	142
		25-27	152
		28-29	165
RAMPAGE H2O	669g	22-24	159
		25-27	165
		28-29	178
RAMPAGE LP H2O	625.5g	22-24	105
		25-27	105
		28-29	111



RUSH EVAQ8

The RUSH Foot EVAQ8 Collection provides maximum vacuum efficiency in just a few quick steps. Available in the HiPro, ROGUE 2, RAMPAGE and RAMPAGE LP models providing the perfect solution for the majority of individuals seeking integrated effective vacuum suspension. Upwards of 22inHg can be achieved with this simple, integrated design that stabilises volume, increases suspension, and heightens proprioception through elevated vacuum. No batteries or complicated mechanical pumps are required.

Waterproof*
 *Waterproof note: Following exposure to chlorinated water, rinse immediately with fresh water and dry.

Features and Benefits

- Simple, integrated design free of bulky components
- Stabilises volume, increases linkage, and heightens proprioception through elevated vacuum
- Built for all-terrain
- Fresh and salt waterproof*
- Requires minimal maintenance
- The RUSH FOOT EVAQ8 Collection is available in the HiPro, Rogue 2, RAMPAGE and RAMPAGE LP models



For high impact activities



Optional sandal toe



Ordering Information

Trial Period - This foot has a 30 day trial period.

Impact Level Descriptions

Moderate: Daily activities include up to unlimited walking, climbing stairs and occasional moderate lifting (this does not include running).

High: Daily activities include fast walking, jogging, running, lifting heavy objects and/or recreational sports.

Ordering Example: NEVQR2252LR

Part ID	Size	Category*	Foot Shell Colour	Toe	Side
EVAQ8 HiPRO	22-29	1-9	Light		R/L
EVAQ8 ROUGE 2			Medium (sandal only)		
EVAQ8 RAMPAGE			Dark		
EVAQ8 RAMPAGE LP					
			Regular	Leave blank	
			Sandal Toe	S	

*For category selection, see individual product pages.

Spare Parts Ordering Information

Part Number	Foot Shell Type
NFS-▲-■●	Standard, with CAP
NFTC-4R-1▲★4-S■	Sandal toe, without CAP

Spare Parts Ordering Guide
 ▲ = Size in cm (22-29)
 ■ = "L" or "R" for Left or Right
 ● = Skin Tone (1 = Light, 3 = Dark)
 ★ = Skin Tone (L = Light, M = Medium, D = Dark)

Spectra® Sock	Colour	Size (cm)	Sock Size (cm)
NS0-NPS-20035-00	B	22-29	35

Colours: B = Black

EVAQ8 Rebuild Kit	Description
NEVRB	1 release valve, 90° hose barb, 2' Tygon vacuum hose, hose barb filter, 1/2" wide hook and loop

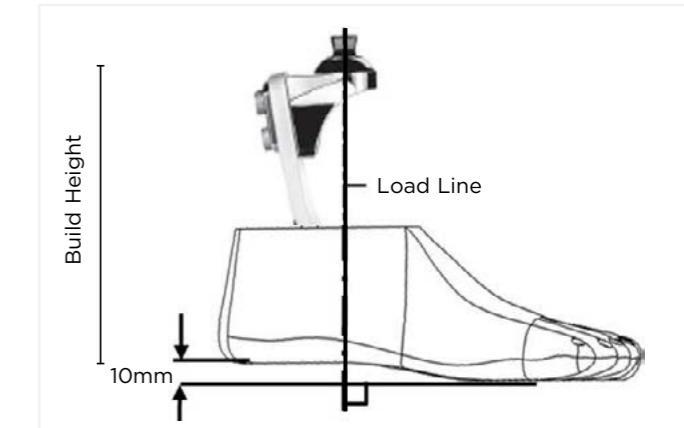
EVAQ8 Release Valve
 NEVRV

Product Specification

Weight Limit (kg)	Impact Level	Sizes (cm)	Warranty
166kg	M H	22-29	3 years Foot shell - 6 months

Technical Information

Product	Weight (g) Size 25 without foot shell	Size (cm)	Build Height (mm)
EVAQ8 HiPro	658g	22-24	165
		25-27	175
		28-29	181
EVAQ8 ROUGE 2	770g	22-24	155
		25-27	168
		28-29	171
EVAQ8 RAMPAGE	593g	22-24	168
		25-27	181
		28-29	184
EVAQ8 RAMPAGE LP	549g	22-24	114
		25-27	121
		28-29	121



RUSH ROVER®

With a minimum build height of 5.4cm, even those with relatively low clearance can benefit from RUSH fibreglass composite features.

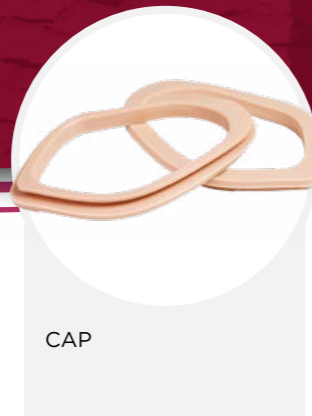
Dynamic toe-off and superior energy return set the RUSH ROVER apart from more traditional low profile designs.

Features and Benefits

- Smooth roll-through
- Dynamic toe-off
- Most durable low-profile foot in the RUSH collection
- Built for all-terrain and all weather
- Fresh and salt waterproof*
- Accommodates patient weight up to 166kg

Waterproof*

*Waterproof note: Following exposure to chlorinated water, rinse immediately with fresh water and dry.



CAP



Solid toe foot shell available in light and dark



Ordering Information

Trial Period - This foot has a 30 day trial period.

Impact Level Descriptions

Moderate: Daily activities include up to unlimited walking, climbing stairs and occasional moderate lifting (this does not include running).

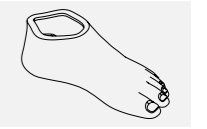
High: Daily activities include fast walking, jogging, running, lifting heavy objects and/or recreational sports.

Ordering Example - NROV309LL

Part Number	Size (22-30)	Cat.	Foot Shell Colour (L/D)	Left/Right
NROV	30	9	L	L

Spare Parts Ordering Information

Part Number	Foot Shell Type
NFSK-▲-■●	Standard, with CAP



Spare Parts Ordering Guide

- ▲ = Size in cm (22-30)
- = "L" or "R" for Left or Right
- = Skin Tone (1 = Light, 3 = Dark)

Spectra® Sock	Colour	Size (cm)	Sock Size (cm)
NSO-NPS-20030-00	B	22-30	35

Colours: B = Black

Category Selection

Weight (kg)	0-48		49-64		64-79		80-95		96-111		112-127		128-143		144-159		160-166		
	L/M	H	L/M	H	L/M	H	L/M	H	L/M	H	L/M	H	L/M	H	L/M	H	L/M	H	
22	1	2	2	3	3	4	4	-	-	-	-	-	-	-	-	-	-	-	-
23	1	2	2	3	3	4	4	5	5	-	-	-	-	-	-	-	-	-	-
24	1	2	2	3	3	4	4	5	5	6	6	-	-	-	-	-	-	-	-
25	1	2	2	3	3	4	4	5	5	6	6	-	-	-	-	-	-	-	-
26	-	-	2	3	3	4	4	5	5	6	6	7	7	-	-	-	-	-	-
27	-	-	2	3	3	4	4	5	5	6	6	7	7	-	-	-	-	-	-
28	-	-	-	-	3	4	4	5	5	6	6	7	7	8	8	-	-	-	-
29	-	-	-	-	3	4	4	5	5	6	6	7	7	8	8	-	-	-	-
30	-	-	-	-	-	-	4	5	5	6	6	7	7	8	8	9	9	-	-

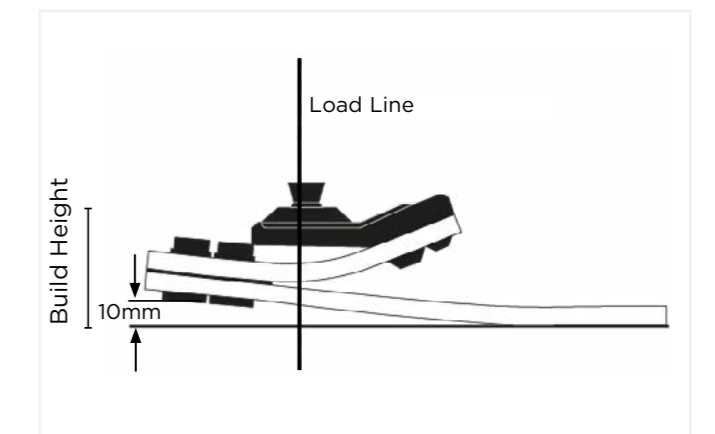
Please note: Increasing category numbers indicate increased keel response. FOR BILATERAL PATIENTS: Increase by one category for added stability.

Product Specification

Weight Limit (kg)	Impact Level	Sizes (cm)	Warranty
166kg	M H	22-30	3 years Foot shell - 6 months

Technical Information

Weight (g) Size 25 without foot shell	Build Height and Weight	
	Size (cm)	Build Height (cm)
639g	22-24	54
	25-27	60
	28-30	64



Build Height

10mm

Load Line

RUSH Chopart®

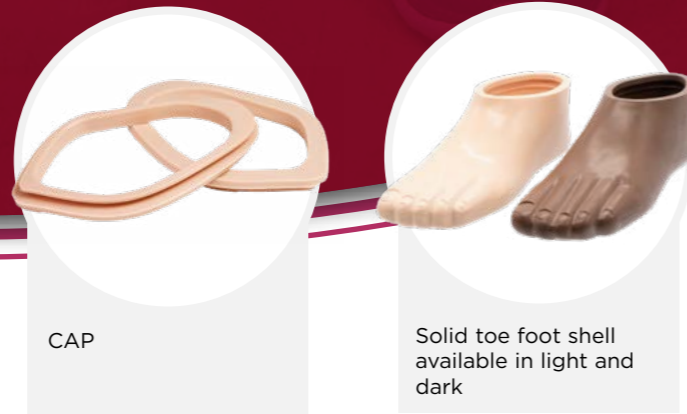
The RUSH Chopart foot is specifically designed for people with Chopart amputations as well as Lisfranc, Pirogoff, Boyd and partial foot prostheses. This prosthetic foot features a dynamic design, providing increased reliability and eliminating the breakage commonly seen with carbon Chopart plates. The unique fibreglass composite used in its construction has been engineered for optimal flexibility and durability.

Features and Benefits

- Highly dynamic
- Durable
- Smooth roll-over
- Waterproof in fresh and salt water
- Accommodates patient weight up to 166kg
- Optional foot shell available

Waterproof*

*Waterproof note: Following exposure to chlorinated water, rinse immediately with fresh water and dry.



Ordering Information

Trial Period - There is no trial on this product.

Impact Level Descriptions

Moderate: Daily activities include up to unlimited walking, climbing stairs and occasional moderate lifting (this does not include running).

High: Daily activities include fast walking, jogging, running, lifting heavy objects and/or recreational sports.

Foot Shell Included Ordering Example - NCHO191PLR

Part Number	Size (19-30)	Cat.	Foot Shell Colour (L/D)	Left/Right
NCHO	19	1p	L	R

Foot Only Ordering Example - NCHO233RU

Part Number	Size (19-30)	Cat.	Toe
NCHO	23	3	RU

Category Selection (19-21)

Weight (kg)	0-14			15-20			21-27			28-34			35-41			42-48			49-54			55-61		
	L	M	H	L	M	H	L	M	H	L	M	H	L	M	H	L	M	H	L	M	H	L	M	H
19	1p	1p	2p	2p	2p	3p	3p	3p	4p	4p	4p	5p	5p	5p	6p	6p	6p	-	-	-	-	-	-	-
20	-	-	2p	2p	2p	3p	3p	3p	4p	4p	4p	5p	5p	5p	6p	6p	6p	7p	7p	7p	7p	-	-	-
21	-	-	2p	2p	2p	3p	3p	3p	4p	4p	4p	5p	5p	5p	6p	6p	6p	7p	7p	7p	7p	8p	8p	8p

Category Selection (22-30)

Weight (kg)	0-32		33-48		49-64		64-79		80-95		96-111		112-127		128-143		144-159		160-166	
	L/M	H	L/M	H	L/M	H	L/M	H	L/M	H	L/M	H	L/M	H	L/M	H	L/M	H	L/M	H
22	0	1	1	2	2	3	3	4	4	5	5	-	-	-	-	-	-	-	-	-
23	0	1	1	2	2	3	3	4	4	5	5	-	-	-	-	-	-	-	-	-
24	-	-	1	2	2	3	3	4	4	5	5	6	6	-	-	-	-	-	-	-
25	-	-	-	-	2	3	3	4	4	5	5	6	6	-	-	-	-	-	-	-
26	-	-	-	-	2	3	3	4	4	5	5	6	6	7	7	-	-	-	-	-
27	-	-	-	-	-	-	3	4	4	5	5	6	6	7	7	-	-	-	-	-
28	-	-	-	-	-	-	3	4	4	5	5	6	6	7	7	8	8	-	-	-
29	-	-	-	-	-	-	3	4	4	5	5	6	6	7	7	8	8	-	-	-
30	-	-	-	-	-	-	-	-	4	5	5	6	6	7	7	8	8	9	9	-

Please note: Increasing category numbers indicate increased keel response. FOR BILATERAL PATIENTS: Increase by one category for added stability.

Product Specification

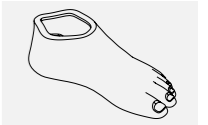
Weight Limit (kg)	Impact Level	Sizes (cm)	Warranty
166kg	M H	19-30	3 years Foot shell - 6 months

Technical Information

Weight (g) Size 25 without foot shell	Build Height and Weight	
	Size (cm)	Build Height (cm)
118g	19-21	21
	22-24	25
	25-27	29
	28-30	22

Spare Parts Ordering Information

Part Number	Foot Shell Type
NFSK-▲-■●	Standard, with CAP

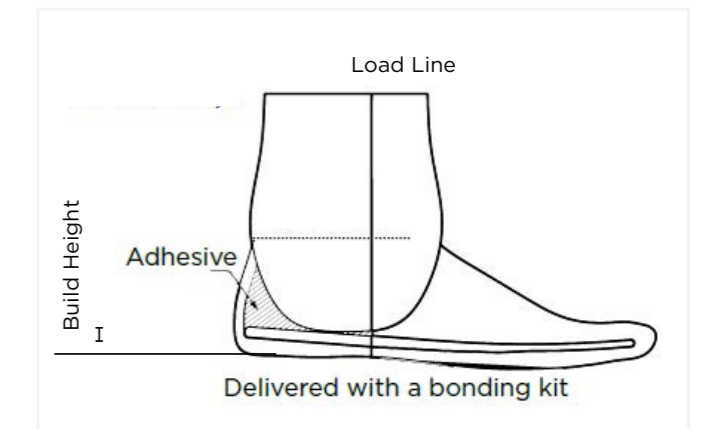


Spare Parts Ordering Guide

- ▲ = Size in cm (22-29)
- = "L" or "R" for Left or Right
- = Skin Tone (1 = Light, 3 = Dark)

Spectra® Sock	Colour	Size (cm)	Sock Size (cm)
NSO-NPS-20035-00	B	22-29	35

Colours: B = Black



RUSH KID

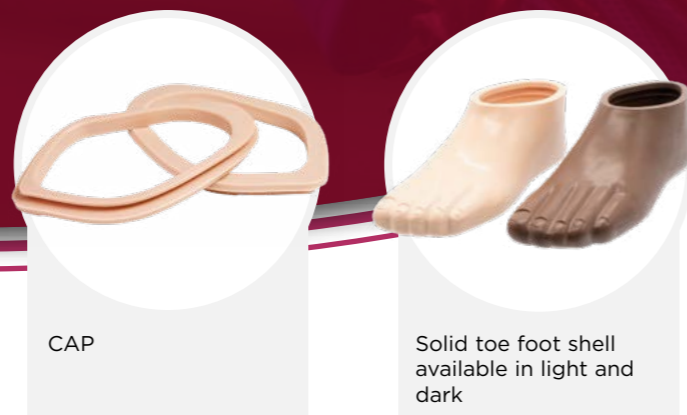
Introducing the RUSH KID, a paediatric foot designed to handle the most extreme users. Kids can run, jump, and play with ease thanks to its ultra-low profile build that provides dynamic energy return and smooth progression. This all-terrain foot is perfect for active kids who love to explore mud, water, and sand as it is waterproof in fresh and salt water and it is extremely durable. In addition to its functionality, the RUSH KID is also cosmesis-friendly.

Features and Benefits

- Smooth roll-through and dynamic toe-off
- Highly durable
- Built for all-terrain and all weather
- Waterproof in fresh and salt water
- Accommodates patient weight up to 61kg

Waterproof*

*Waterproof note: Following exposure to chlorinated water, rinse immediately with fresh water and dry.



CAP

Solid toe foot shell available in light and dark



Ordering Information

Trial Period - This foot has a 30 day trial period.

Impact Level Descriptions

Moderate: Daily activities include up to unlimited walking, climbing stairs and occasional moderate lifting (this does not include running).

High: Daily activities include fast walking, jogging, running, lifting heavy objects and/or recreational sports.

Foot Shell Included Ordering Example - NKID204PLL

Part Number	Size (19-21)	Cat.	Foot Shell Colour (L/D)	Left/Right
NKID	20	4p	L	L

Spare Parts Ordering Information

Part Number	Foot Shell Type
NFSK-▲-■●	Standard, with CAP



Spare Parts Ordering Guide

- ▲ = Size in cm (19-21)
- = "L" or "R" for Left or Right
- = Skin Tone (1 = Light, 3 = Dark)

Spectra® Sock	Colour	Size (cm)	Sock Size (cm)
NSO-NPS-20030-00	B	19-30	35

Colours: B = Black

Category Selection

Weight (kg)	0-14		15-20		21-27		28-34		35-41		42-48		49-54		55-61	
	L/M	H	L/M	H	L/M	H	L/M	H	L/M	H	L/M	H	L/M	H	L/M	H
19	1P	2P	2P	3P	3P	4P	4P	5P	5P	6P	6P	-	-	-	-	-
20	1P	2P	2P	3P	3P	4P	4P	5P	5P	6P	6P	7P	7P	-	-	-
21	1P	2P	2P	3P	3P	4P	4P	5P	5P	6P	6P	7P	7P	-	8P	-

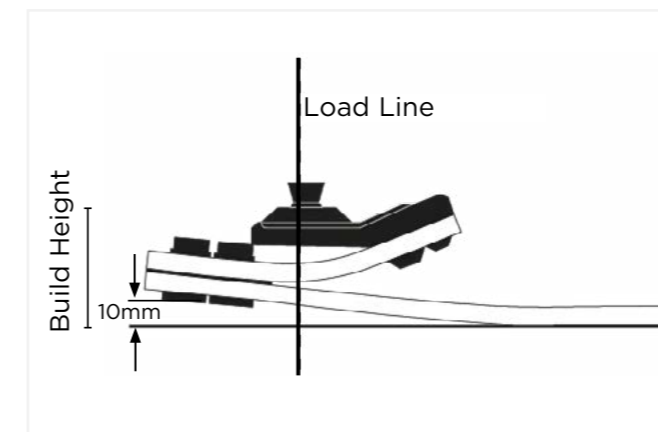
Please note: Increasing category numbers indicate increased keel response. FOR BILATERAL PATIENTS: Increase by one category for added stability.

Product Specification

Weight Limit (kg)	Impact Level	Sizes (cm)	Warranty
61kg	M H	19-21	2 years Foot shell - 6 months

Technical Information

Weight (g) Size 20 without foot shell	Build Height (mm)
315g	51mm



DynaStep

Aided by the shape of its carbon keel, the DynaStep ensures an efficient energy return and comfort whilst providing the patient with dynamics suitable for low/moderate activity users. The split keel design allows inversion and eversion whilst navigating uneven terrain. When combined with the Multiaxis Ankle, plantarflexion, dorsiflexion, inversion, and eversion levels increase even further.

Features and Benefits

- Appropriate for transtibial and transfemoral patients
- Foam of the foot is moulded on the carbon keel
- Comes with its malleolar clip to help the set up of the foot shell



Multiaxis Ankle



Split toe design

Ordering Information

Trial Period - This foot has a 30 day trial period.

Impact Level Descriptions

Low: Daily activities include mostly level ground walking, moving around in the home and the community.

Foot + Multiaxis Ankle Ordering Example - NIE201-L22		
Part Number	Left/Right	Size (22-29)
NIE201	L	22

Spare Parts Ordering Information

Foot Only Ordering Example - NIA101-R24		
Part Number	Left/Right	Size (22-29)
NIA101	R	24

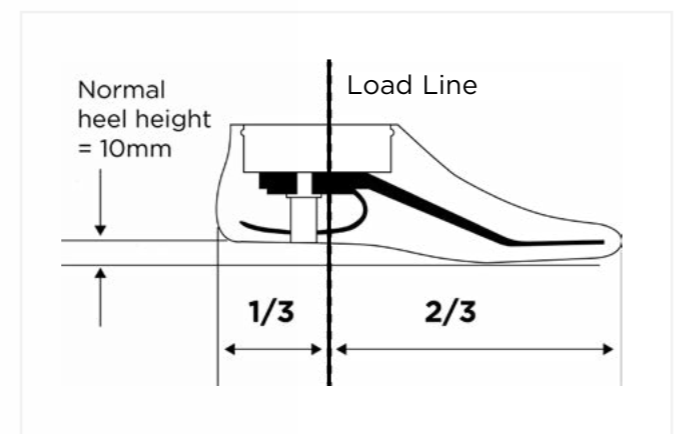
Multiaxis Ankle	
NID111	

Product Specification

Sizes (cm)	Weight Limit (kg)	Impact Level	Warranty
22-25	100kg	L M H	1 year
26-29	80kg		

Technical Information

Weight (g) Size 26	Build Height (mm)
510g	96



3-Parts Foot

Used to manufacture bathing prostheses, foot amputation prostheses (Chopard, Symes, Pirogoff) and trans-tibial carbon prosthesis.

Water-resistant*

*Water-resistant: Safe for contact with fresh water and occasional submersion. Rinse immediately with fresh water and dry following exposure to water.



Ordering Information

Trial Period - There is no trial on this product.

Impact Level Descriptions

Low: Daily activities include mostly level ground walking, moving around in the home and the community.

Complete Solution Kit Ordering Example - NIC03-R28		
Part Number	Left/Right	Size (22-29)
NIC03	R	28

Spare Parts Ordering Information

Sole with Toe Ordering Example - NIC0301-L24		
Part Number	Left/Right	Size (22-29)
NIC0301	L	24

Foam Block Ordering Example - NIC0304-L27		
Part Number	Left/Right	Size (22-29)
NIC0304	L	27

Heel Wedge	
N1A110	

Foam Leg Base	
NIC0205	

Product Specification

Sizes (cm)	Colour	Heel Rise	Impact Level	Warranty
22-29	Caucasian	10mm	L M H	1 year

S.A.C.H

The S.A.C.H foot (Solid Ankle, Cushion Heel) is ideal for users performing low impact activities. The three varying heel inserts provide shock absorption at the heel strike and step completion is ensured by the flexible forefoot. Whilst a medium heel insert is provided as standard with the men's and women's feet, softer or harder inserts can be ordered to increase and decrease shock absorption as needed.

Features and Benefits

- 3 different heel inserts (soft, medium and hard)
- Accommodates patient weight up to 125kg (N1A111)
- Available in men's, women's, and paediatric sizes
- Variety of possible proximal connections including Multiaxial Ankle, Pyramid, or Wooden Block.



N1A118

N1A21

N1A51

N1A111

Ordering Information

Trial Period - This foot has a 30 day trial period.

Impact Level Descriptions

Low: Daily activities include mostly level ground walking, moving around in the home and the community.

Men's Ordering Example - N1A111-R28

Part Number	Left/Right	Size (22-29)
N1A111	R	28

Men's Ordering Example - N1A118-L22

Part Number	Left/Right	Size (22-29)
N1A118	L	22

Women's Ordering Example - N1A21-R23

Part Number	Left/Right	Size (21-26)
N1A21	R	23

Paediatric Ordering Example - N1A51-L14

Part Number	Left/Right	Size (12/14/16/17/18/19/20)
N1A51	L	14

Spare Parts Ordering Information

Heel Inserts for N1A111 & N1A118

Size (cm) Inserts	22-23	24-27	28-29
Soft	N1A11120-1S	N1A11120-2S	N1A11120-3S
Medium	N1A11120-1N	N1A11120-2N	N1A11120-3N
Hard	N1A11120-1F	N1A11120-2F	N1A11120-3F

Heel Inserts for N1A21

Size (cm) Inserts	21-24	25-26
Soft	N1A11120-1S	N1A11120-2S
Medium	N1A11120-1N	N1A11120-2N
Hard	N1A11120-1F	N1A11120-2F

Please note: S.A.C.H feet come with a medium heel insert. To optimize shock absorption at heel strike, the insert can be replaced by a softer or a harder one.

Product Specification

	N1A111	N1A118	N1A21	N1A51
Patient Type	Men	Men	Women	Paediatric
Sandal Toe	Yes	Yes	No	No
Sizes (cm)	22-25	26-29	22-29	21-26
Weight Limit (kg)	100	125	100	100
Weight (g)	390g <i>size 25</i>	410g <i>size 25</i>	415g <i>size 22</i>	130g <i>size 14</i>
Heel Height	10mm	18mm	35mm	12mm
Impact Level	L M H	L M H	L M H	L M
Warranty	1 year			

Steeper Group
Unit 3 Stourton Link, Intermezzo Drive
Leeds, LS10 1DF

Email: customerservices@steepergroup.com
Call: +44 (0) 870 240 4133

www.steepergroup.com

STPPR325
©2024 Steeper Group

