

The intuitive Trustep foot is designed to provide a combination of the vertical motion, rotation and stability associated with the anatomical foot. Throughout the gait cycle, the bumpers compress to bring the toe and heel down at the appropriate times, allowing the foot to maintain ground contact for firm footing.

The unique split-keel design that defines the Trustep provides up to 15mm of independent toe dorsiflexion during normal use. With a full range of options available, Trustep's versatile design allows for complete customisation, resulting in a natural gait pattern and unsurpassed comfort.

CES CPI F03: Use this code to read the Trustep clinical evaluation summary on the Steeper website.

Features and Benefits

- Tri-axial technology to adapt to uneven terrain
- Bumpers compress the toe and heel at appropriate times whilst providing cushioning and impact absorption
- Customisable bumpers for optimal control
- Anatomically designed foot shell with Spectra reinforcement
- Trustep patented Sealing Boot interlocks with the foot shell, keeping debris away from the foot



10mm vertical displacement



Anatomical locomotion

Cosmetics



Sealing Boot



Solid toe foot shell

Note: Please see the following page for Trustep spare parts ordering information.



Ordering Information

Trial Period - This foot has a 30 day trial period.

Impact Level Descriptions

Low: Daily activities include mostly level ground walking, moving around the home and the community.

Moderate: Daily activities include up to unlimited walking, climbing stairs and occasional moderate lifting (this does not include running).

High: Daily activities include fast walking, jogging, running, lifting heavy objects and/or recreational sports.

Ordering Example: NTS-LCEN-24N-G3

Part ID	Side	Shell Colour	Mounting	Size	Width	Firmness Category
NTS	L					G
NTS	R					G

Includes foot shell, CPI Spectra Sock and sealing boot.	Caucasian	C	Endo	EN	22-31cm	Narrow	N	1-9 See Chart Below
	Tan	T	Exo	ALX		Wide 24-31cm only	W	
	Brown	B						
	Jet Black	J						

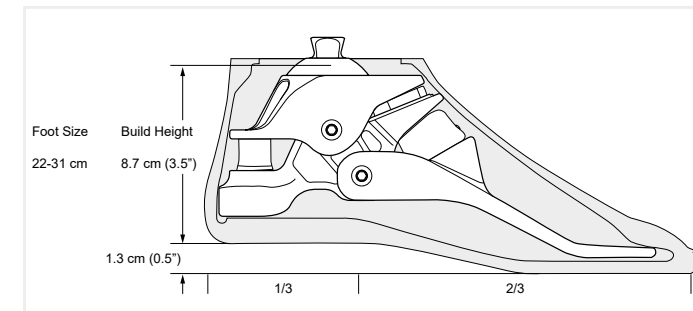
Firmness Category	Sizes 22-31cm		
	Low Impact	Mod Impact	High Impact
0-33	1	1	2
34-45	2	2	3
46-54	3	3	4
55-63	4	4	5
64-72	4	5	6
73-81	5	6	6
82-91	6	6	7
92-100	6	7	7
101-113	7	7	8
114-125	7	7	8
126-136	8	8	8
137-150	8*	9*	9*
151-160	9*	9*	9*

* EXO Only

Product Specification

Mount	Weight Limit	Build Height	Sizes
Endo (IP)	136kg	8.7cm	22-31cm
Exo (ALX)	160kg	15.2cm	
Weight of Unit	Impact Level	Warranty	Foot Shell
678g Size 26 inc. foot shell	L M H	3 years (18 months over 136kg) Foot shell - 6 months	C T B J Caucasian, Tan, Brown or Jet Black Narrow or Wide width

Technical Information



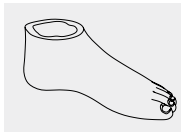
Spare Parts Ordering Information

Foot Shell	Size (cm)	Shell
------------	-----------	-------

- NTS-S 22-31 S
- NTS-XS 22-31 XS*

*Exo only, add 1 day for processing.

- = "L" or "R" for Left or Right
- = Colour (C = Caucasian, T = Tan, B = Brown, J = Jet Black)
- ▲ = Foot size in cm (22-31)
- ◆ = Width (N = Narrow, W = Wide*) *24-31cm only

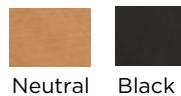


Shelltread	Size (cm)
------------	-----------

- NTS-T 21-30
- NTS-T 24-31



- = "L" or "R" for Left or Right
- = Colour (N = Neutral, J = Jet Black)
- ▲ = Foot size in cm (22-31)
- N = Narrow, W = Wide



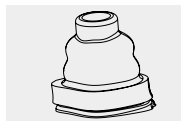
CPI Spectra Sock	Size (cm)
------------------	-----------

- NCPI-SS-SM Small (19-25cm)
- NCPI-SS-LG Large (26-31cm)
- NCPI-SSK-SM Small 6 pack (19-25cm)
- NCPI-SSK-LG Large 6 pack (26-31cm)



Endo Sealing Boot	Size (cm)
-------------------	-----------

- NTS-SB 22-24
- NTS-SB 25-26
- NTS-SB 27-30



- = "L" or "R" for Left or Right
- = Colour (C = Caucasian, T = Tan, B = Brown, J = Jet Black)
- ▲ = Foot size in cm (25-30)

Endo Ankle	Description
------------	-------------

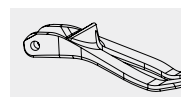
- NTS-ENA-2224 Endo Ankle, 22-24cm
- NTS-ENA-2531 Endo Ankle, 25-31cm

Exo Ankle	Description
-----------	-------------

- NTS-ALXA-2224 Exo Ankle, 22-24cm
- NTS-ALXA-2531 Exo Ankle, 25-31cm

Forefoot	Description
----------	-------------

- NTS-FF-2224 Forefoot Bone, 22-24cm
- NTS-FF- Forefoot Bone, indicate size: 25-30cm
- NTS-FF-31 Forefoot Bone, 31cm



- = "L" or "R" for Left or Right
- ▲ = Foot size in cm (25-30)

Gait Match					
Firmness Category	Front Bumper	Ankle Bushings	Mid-stance Pad	Rear Bumper	Lower Bushings
1	1	S	M	XS	one firmness
2	2	S	M	XS	one firmness
3	3	S	M	S	one firmness
4	4	S	M	S	one firmness
5	5	M	M	M	one firmness
6	6	M	M	H	one firmness
7	7	M	M	1X	one firmness
8	8	F	F	2X	one firmness
9	8	F	F	3X	one firmness

Foot orders include extra rear bumper (one category softer, recommended for AK)

Bumpers & Bushings	Description	Bumper Colour
--------------------	-------------	---------------

- NTS-FB-1 Front Bumper 1
- NTS-FB-2 Front Bumper 2
- NTS-FB-3 Front Bumper 3
- NTS-FB-4 Front Bumper 4
- NTS-FB-5 Front Bumper 5
- NTS-FB-6 Front Bumper 6
- NTS-FB-7 Front Bumper 7
- NTS-FB-8 Front Bumper 8
- NTS-FB-9 Front Bumper 9
- NTS-RB-XS Rear Bumper, XS
- NTS-RB-S Rear Bumper, S
- NTS-RB-M Rear Bumper, M
- NTS-RB-H Rear Bumper, H
- NTS-RB-1X Rear Bumper, 1X
- NTS-RB-2X Rear Bumper, 2X
- NTS-RB-3X Rear Bumper, 3X
- NTS-MP-M Midstance Pad, Medium
- NTS-MP-F Midstance Pad, Firm
- NTS-LB Lower Bushing
- NTS-ABS Ankle Bushing, Soft
- NTS-ABM Ankle Bushing, Medium
- NTS-ABF Ankle Bushing, Firm
- NTS-ABR Ankle Bushing, Rigid

S Soft M Medium F Firm XF Extra Firm

Alignable Exo Block	Description
---------------------	-------------

- NTS-XBK -2224 Alignable Exo Block Kit, 22-24cm
- NTS-XBK -2526 Alignable Exo Block Kit, 25-26cm
- NTS-XBK -2731 Alignable Exo Block Kit, 27-31cm



- = "L" or "R" for Left or Right
- Includes Exo Block, Lamination Gasket and Mounting Bolt.

Moulded Heel Bone	Description
-------------------	-------------

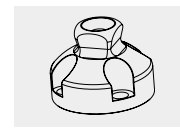
- NTS-MH-2224 Moulded Heel Bone, 22-24cm
- NTS-MH-2526 Moulded Heel Bone, 25-26cm
- NTS-MH-2731 Moulded Heel Bone, 27-31cm
- NTS-MHK-2224 Moulded Heel Bone Kit, 22-24cm**
- NTS-MHK-2526 Moulded Heel Bone Kit, 25-26cm**
- NTS-MHK-2731 Moulded Heel Bone Kit, 27-31cm**



- **Moulded Heel Bone Kit Contents:
- 1 x NTS-MAX-MH (Trustep MAX insert)
- 1 x NTS-IS-MH (Trustep Max/Min insert screw)
- 1 x NTS-MH-2224/2526/or 2731 (Trustep Moulded Heel Bone)

Exo Pyramid Tool Kit	Description
----------------------	-------------

- NTS-EXPK-30 Exo Pyramid Tool Kit, 30mm



Hardware	Description
----------	-------------

- NCP-AP-L Axial Pin, Long, 22-31cm
- NCP-APS Axial Pin Screw
- NTS-MAX-MH Max Insert, Moulded Heel
- NTS-MIN-MH Min Insert, Moulded Heel
- NTS-IS-MH Max/Min Insert Screw, Moulded Heel
- NTS-S10-25 Exo Mounting Bolt, M10 x 25mm
- NTS-RBK Pyramid Tool Retaining Bolt Kit (4pc), M6 x 12mm

