

The Trés foot is a cost-effective, maintenance-free option for patients with low to moderate activity levels.

By incorporating a full-length toe lever and soft components to provide inversion/eversion, this dynamic response foot helps restore function at an affordable price.

The integral sandal toe foot shell is anatomically designed for an attractive, natural appearance and is reinforced with Impact Dispersion Technology™ (IDT).

CES CP F01: Use this code to read the Trés clinical evaluation summary on the Steeper website.

Features and Benefits

- Lightweight
- Natural appearance
- Integrated foot shell without sock
- Sandal toe

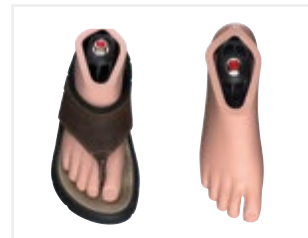


Dynamic response



Inversion-eversion

Cosmetics



Integral sandal toe foot shell



Ordering Information

Trial Period - This foot has a 30 day trial period.

Impact Level Descriptions

Low: Daily activities include mostly level ground walking, moving around the home and the community.

Moderate: Daily activities include up to unlimited walking, climbing stairs and occasional moderate lifting (this does not include running).

Ordering Example: NTE-LCEN-27-G4

Part ID	Side	Shell Colour	Mounting	Size	Firmness Category
NTE	L		EN		G
NTE	R		EN		G

Caucasian	C
Tan	T
Brown	B

21-30cm

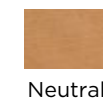
1-5

Firmness Category										
Weight (kg)	0-54	55-63	64-72	73-81	82-91	92-100	101-113	114-125	126-136	137-150
Size (cm)	21-24									
Low Impact	1	1	2	2	3	3	4	4	4	-
Moderate Impact	1	2	2	3	3	3	4	4	4	-
Size (cm)	25-30									
Low Impact	1	1	2	2	3	3	4	4	4	5
Moderate Impact	1	2	2	3	3	3	4	4	5	5

Shelltread Ordering Information

Shelltread	Size (cm)
NCS-T ■ N-▲	21-30

- = "L" or "R" for Left or Right
- ▲ = Foot size in cm (21-30)

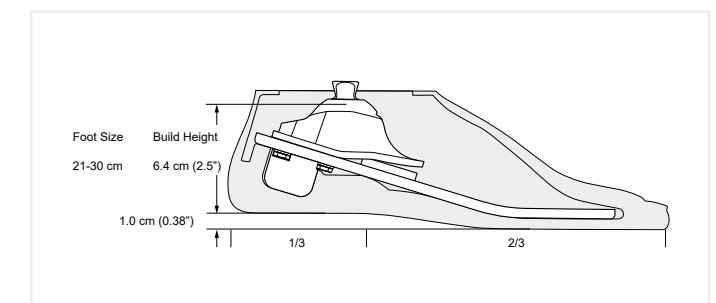


Neutral

Product Specification

Mounting	Sizes	Weight Limit	Build Height
Endo (IP)	21-24cm	136kg	6.4cm
	25-30cm	150kg	
Weight of Unit	Impact Level	Warranty	Foot Shell
403g Size 24cm inc. foot shell	LMH	2 years	C T B Caucasian, Tan or Brown Standard width
500g Size 26cm inc. foot shell			

Technical Information



Note: Trés® Feet are gait matched at College Park Industries before shipping, and cannot be modified.