

The carbon fibre DynAdapt foot is easy to fit and cover with a cosmesis thanks to its slim profile and anatomical design. The full-length split-keel provides a smooth, uninterrupted roll-over from heel-strike to toe-off, as well as the medial/lateral compliance needed for good stability on uneven terrain. The advanced composite laminate delivers a high cycle fatigue in a design that also gives a high energy return.

**CES FRE F07:** Use this code to read the DynAdapt clinical evaluation summary on the Steeper website.



**\*Water-resistant:** Safe for contact with water and occasional submersion. Rinse immediately with fresh water and dry following exposure to water, particularly salt or chlorinated.



Features and Benefits

- Slim profile, carbon fibre foot system with a slender, anatomical design
- Multi-axial function for maximum comfort
- Full length split-keel gives an uninterrupted roll-over with good compliance and a dynamic response through to toe-off
- EnduraCore Technology delivers up to 3 times the fatigue life of a standard laminate
- Available in 9 stiffness categories

Cosmetics



Mid profile foot shell

Sandal toe: sizes 22-28 only

Ordering Information

Trial Period - This foot has a 30 day trial period.

Impact Level Descriptions

**Low:** Daily activities include mostly level ground walking, moving around in the home and the community.

**Moderate:** Daily activities include up to unlimited walking, climbing stairs and occasional moderate lifting (this does not include running).

**High:** Daily activities include fast walking, jogging, running, lifting heavy objects and/or recreational sports.

Ordering Example - NF10526R

Part Number	Category	Size (22-31)	Left/Right
NF10	5	26	R

Sandal Toe Ordering Example - NF10526SL

Part Number	Category	Size	Sandal Toe	Left/Right
NF10	5	26	S	L

Sandal toe is only available in sizes 22-28. Includes foot shell and Spectra' Sock.

Category Selection

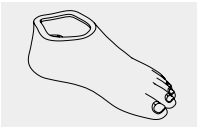
Weight (kg)	Impact Level		
	Low	Mod	High
44-52	1	1	2
53-59	1	2	3
60-68	2	3	4
69-77	3	4	5
78-88	4	5	6
89-100	5	6	7
101-116	6	7	8
117-130	7	8	9
131-147	8	9	-
148-166	9	-	-

Product Specification

Weight Limit	Impact Level	Sizes (cm)	Warranty
166kg		22-31	3 years Foot shell - 6 months

Spare Parts Ordering Information

Part Number	Foot Shell Type
NFTC-3M-0 ▲●4-R ■	Standard, with CAP
NFTC-2M-1 ▲●4-S ■	Sandal Toe, without CAP



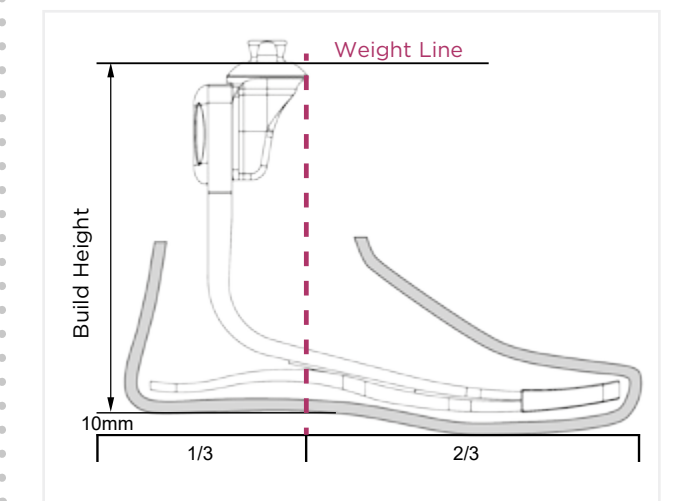
Spare Parts Ordering Guide

- ▲ = Size in cm (22-31 = Regular, 22-28 = Sandal Toe)
- = Skin Tone (L = Light, M = Medium, D = Dark)
- = "L" or "R" for Left or Right

Spectra' Sock	Colour	Size (cm)	Sock Size (cm)
NSO-NPS-20030-00	B	22-25	30
NSO-NPS-20035-00	B	26-28	35
NSO-NPS-20040-00	B	29-31	40

Colours: B = Black

Bumper Kit	Size (cm)
NKIT-00-11373-00	22-25
NKIT-00-11374-00	26-28
NKIT-00-11375-00	29-31



Technical Information

Build Height and Weight		
Size (cm)	Build Height (cm)	Foot inc. Shell
22-25	15.8	535g
26-28	17	635g
29-31	18.2	750g